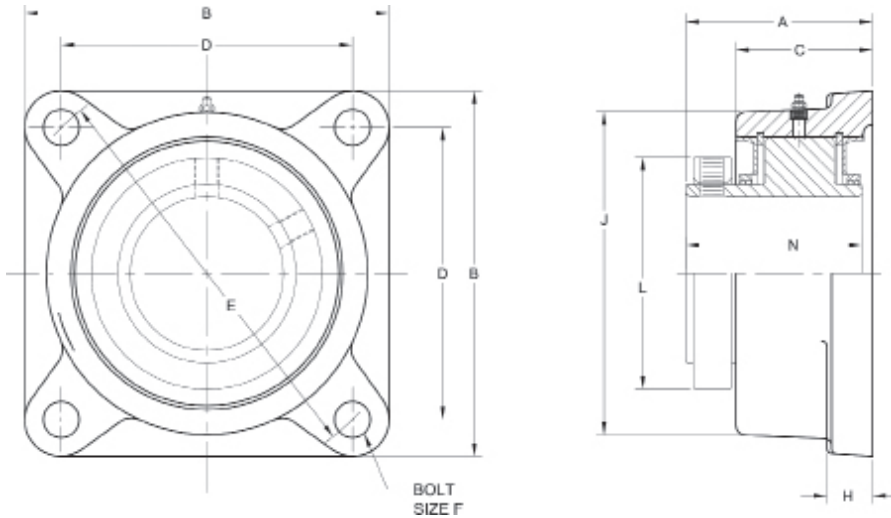




MOLINE BEARING CO.

19111108 M2000 4-Bolt Flange Expansion

MADE IN THE USA WITH SKF® AND TIMKEN® SPHERICAL ROLLER BEARINGS



SHAFT SIZE	MOLINE PART #		DIMENSIONS (INCHES)										WEIGHT LBS.
	EXP	NON-EXP	A	B	C	D	E	F	H	J	L	N	
1 1/2	19111108	19211108	2 15/16	4 5/8	2 1/4	3 17/32	5	1/2	3/4	3 7/8	2 1/2	2 3/4	7

NOMINAL SHAFT DIAMETER (IN)	L10 HRS LIFE	RADIAL LOAD RATINGS AT VARIOUS REVOLUTIONS PER MINUTE								
		50	100	200	500	1000	1200	1500	1800	2500
1 1/2	5000	7300	5930	4810	3660	2970	2780	2630	2490	2260
	10000	5930	4810	3910	2970	2410	2260	2140	2020	1830
	20000	4810	3910	3180	2410	1960	1830	1740	1640	1490
	50000	3660	2970	2410	1830	1490	1390	1320	1250	1130
	100000	2970	2410	1960	1490	1210	1130	1070	1010	919

SHAFT SIZE	SEAL SPEED LIMITS		
	STANDARD TRIPLE LIP RPM	LABYRINTH RPM	GARTER SPRING RPM
1 1/2	2800	5300	1700

CAD drawings available upon request at no additional charge (cadlibrary@molinebearing.com).