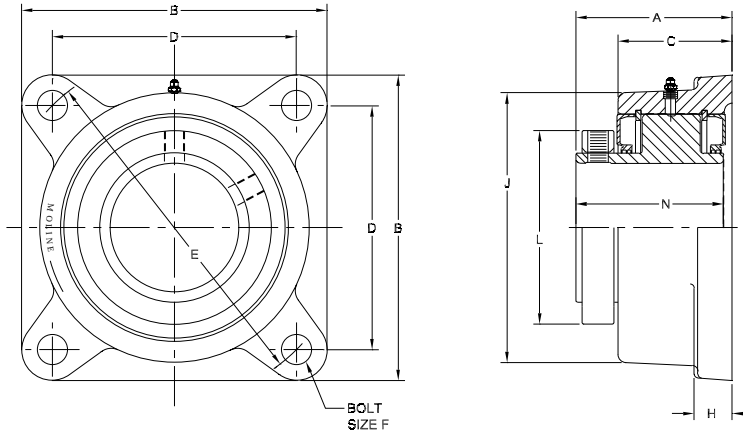




**MOLINE BEARING CO.**

**19111115 M2000 4-Bolt Flange Expansion**

MADE IN THE USA WITH SKF® SPHERICAL ROLLER BEARINGS



SHAFT SIZE	MOLINE PART #		DIMENSIONS (INCHES)										WGT. LBS.
	Exp	Non-Exp	A	B	C	D	E	F	H	J	L	N	
1-15/16	19111115	19211115	3-1/32	5-1/4	2-1/4	4-1/16	5-3/4	1/2	3/4	4-1/2	2-7/8	2-7/8	10.5

CAD drawings available upon request, at no charge.

NOMINAL SHAFT DIAMETER (IN)	L10 HRS LIFE	RADIAL LOAD RATINGS AT VARIOUS REVOLUTIONS PER MINUTE								
		50	100	200	500	1000	1200	1500	1800	2500
1-15/16	5000	7960	6470	5250	3990	3240	3030	2870	2720	-----
	10000	6470	5250	4270	3240	2630	2460	2330	2210	-----
	20000	5250	4270	3470	2630	2140	2000	1890	1790	-----
	50000	3990	3240	2630	2000	1620	1520	1440	1360	-----
	100000	3240	2630	2140	1620	1320	1230	1170	1110	-----