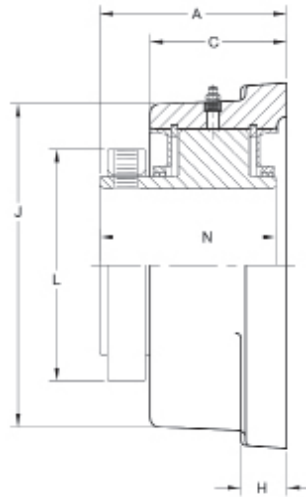
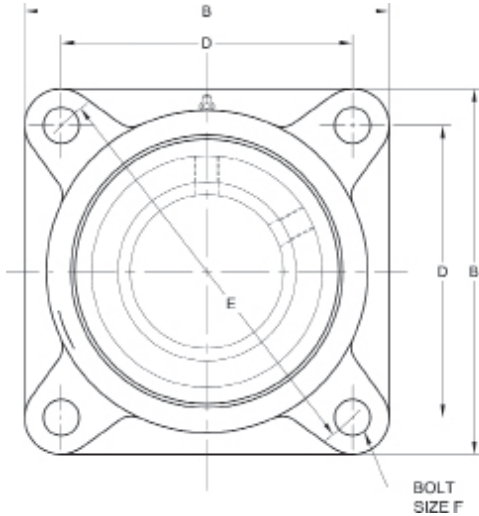




MOLINE BEARING CO.

19111207 M2000 4-Bolt Flange Expansion

MADE IN THE USA WITH SKF® AND TIMKEN® SPHERICAL ROLLER BEARINGS



| SHAFT SIZE | MOLINE PART # | | DIMENSIONS (INCHES) | | | | | | | | | | WEIGHT LBS. |
|------------|---------------|----------|---------------------|-------|-------|---------|-------|-----|---|-------|---|-------|-------------|
| | EXP | NON-EXP | A | B | C | D | E | F | H | J | L | N | |
| 2 7/16 | 19111207 | 19211207 | 3 9/16 | 6 1/8 | 2 3/4 | 4 25/32 | 6 3/4 | 5/8 | 1 | 5 3/4 | 4 | 3 3/8 | 16.5 |

| NOMINAL SHAFT DIAMETER (IN) | L10 HRS LIFE | RADIAL LOAD RATINGS AT VARIOUS REVOLUTIONS PER MINUTE | | | | | | | | |
|-----------------------------|--------------|---|-------|------|------|------|------|------|------|-------|
| | | 50 | 100 | 200 | 500 | 1000 | 1200 | 1500 | 1800 | 2500 |
| 2 7/16 | 5000 | 14300 | 11600 | 9430 | 7160 | 5820 | 5440 | 5150 | 4880 | ----- |
| | 10000 | 11600 | 9430 | 7660 | 5820 | 4730 | 4420 | 4180 | 3960 | ----- |
| | 20000 | 9430 | 7660 | 6220 | 4730 | 3840 | 3590 | 3400 | 3220 | ----- |
| | 50000 | 7160 | 5820 | 4730 | 3590 | 2920 | 2730 | 2580 | 2440 | ----- |
| | 100000 | 5820 | 4730 | 3840 | 2920 | 2370 | 2210 | 2100 | 1990 | ----- |

| SHAFT SIZE | SEAL SPEED LIMITS | | |
|------------|-------------------------|---------------|-------------------|
| | STANDARD TRIPLE LIP RPM | LABYRINTH RPM | GARTER SPRING RPM |
| 2 7/16 | 1800 | 3250 | 1100 |

CAD drawings available upon request at no additional charge (cadlibrary@molinebearing.com).