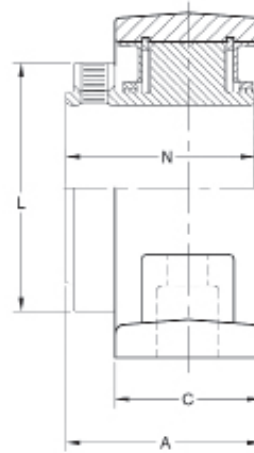
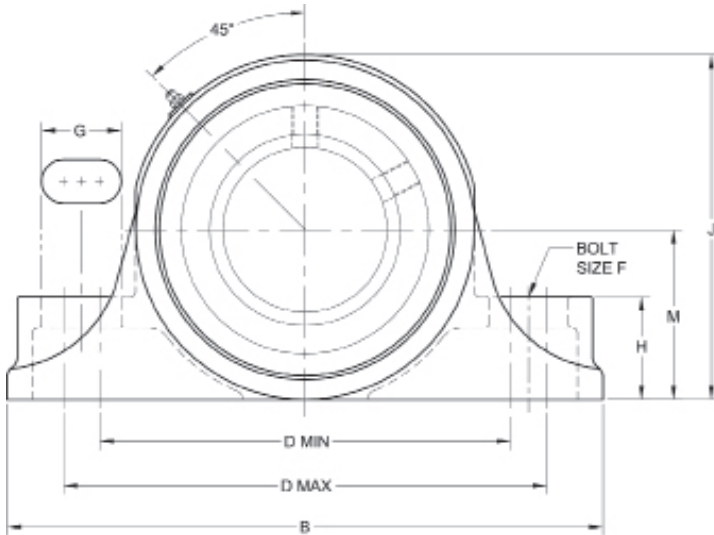




MOLINE BEARING CO.

19121207 M2000 2-Bolt Pillow Block Expansion

MADE IN THE USA WITH SKF® AND TIMKEN® SPHERICAL ROLLER BEARINGS



SHAFT SIZE	MOLINE PART #		DIMENSIONS (INCHES)													WEIGHT LBS.
	EXP	NON-EXP	A	B	C	MIN D	CENTER TO CENTER D	MAX D	F	G	H	J	L	M	N	
2 7/16	19121207	19221207	3 1/2	9 1/4	2 3/4	6 13/16	7 1/8	7 7/16	5/8	1	1 3/4	5 11/16	4	2 3/4	3 3/8	16.2

NOMINAL SHAFT DIAMETER (IN)	L10 HRS LIFE	RADIAL LOAD RATINGS AT VARIOUS REVOLUTIONS PER MINUTE								
		50	100	200	500	1000	1200	1500	1800	2500
2 7/16	5000	14300	11600	9430	7160	5820	5440	5150	4880	-----
	10000	11600	9430	7660	5820	4730	4420	4180	3960	-----
	20000	9430	7660	6220	4730	3840	3590	3400	3220	-----
	50000	7160	5820	4730	3590	2920	2730	2580	2440	-----
	100000	5820	4730	3840	2920	2370	2210	2100	1990	-----

SHAFT SIZE	SEAL SPEED LIMITS		
	STANDARD TRIPLE LIP RPM	LABYRINTH RPM	GARTER SPRING RPM
2 7/16	1800	3250	1100

CAD drawings available upon request at no additional charge (cadlibrary@molinebearing.com).