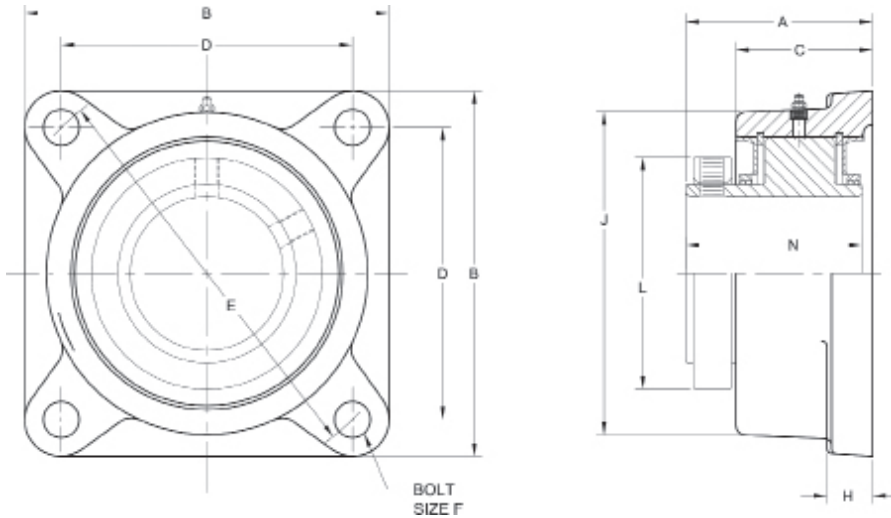




MOLINE BEARING CO.

19211203 M2000 4-Bolt Flange Non-Expansion

MADE IN THE USA WITH SKF® AND TIMKEN® SPHERICAL ROLLER BEARINGS



SHAFT SIZE	MOLINE PART #		DIMENSIONS (INCHES)										WEIGHT LBS.
	EXP	NON-EXP	A	B	C	D	E	F	H	J	L	N	
2 3/16	19111203	19211203	3 9/32	5 7/8	2 7/16	4 1/2	6 3/8	5/8	3/4	5	3 1/4	3 1/8	12.5

NOMINAL SHAFT DIAMETER (IN)	L10 HRS LIFE	RADIAL LOAD RATINGS AT VARIOUS REVOLUTIONS PER MINUTE								
		50	100	200	500	1000	1200	1500	1800	2500
2 3/16	5000	9850	8000	6500	4940	4010	3750	3550	3360	-----
	10000	8000	6500	5280	4010	3260	3050	2880	2730	-----
	20000	6500	5280	4290	3260	2650	2470	2340	2220	-----
	50000	4940	4010	3260	2470	2010	1880	1780	1680	-----
	100000	4010	3260	2650	2010	1630	1530	1450	1370	-----

SHAFT SIZE	SEAL SPEED LIMITS		
	STANDARD TRIPLE LIP RPM	LABYRINTH RPM	GARTER SPRING RPM
2 3/16	2150	3800	1300

CAD drawings available upon request at no additional charge (cadlibrary@molinebearing.com).