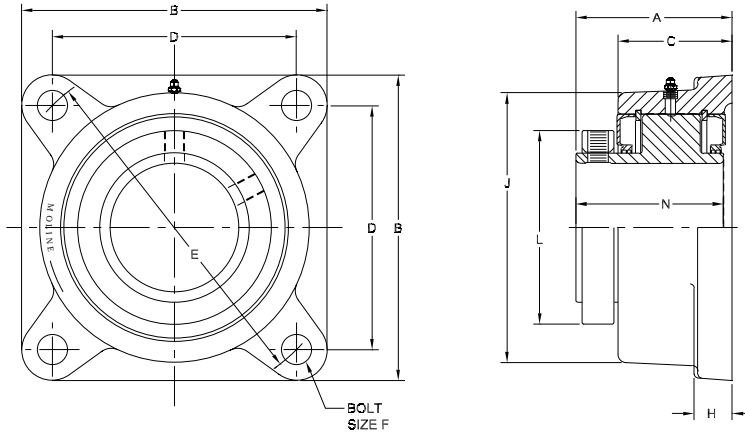




MOLINE BEARING CO.

19211207 M2000 4-Bolt Flange Non-Expansion

MADE IN THE USA WITH SKF® SPHERICAL ROLLER BEARINGS



SHAFT SIZE	MOLINE PART #		DIMENSIONS (INCHES)										WGT. LBS.
	Exp	Non-Exp	A	B	C	D	E	F	H	J	L	N	
2-7/16	19111207	19211207	3-9/16	6-1/8	2-3/4	4-25/32	6-3/4	5/8	1	5-3/4	4	3-3/8	16.5

CAD drawings available upon request, at no charge.

NOMINAL SHAFT DIAMETER (IN)	L10 HRS LIFE	RADIAL LOAD RATINGS AT VARIOUS REVOLUTIONS PER MINUTE								
		50	100	200	500	1000	1200	1500	1800	2500
2-7/16	5000	14300	11600	9430	7160	5820	5440	5150	4880	----
	10000	11600	9430	7660	5820	4730	4420	4180	3960	----
	20000	9430	7660	6220	4730	3840	3590	3400	3220	----
	50000	7160	5820	4730	3590	2920	2730	2580	2440	----
	100000	5820	4730	3840	2920	2370	2210	2100	1990	----