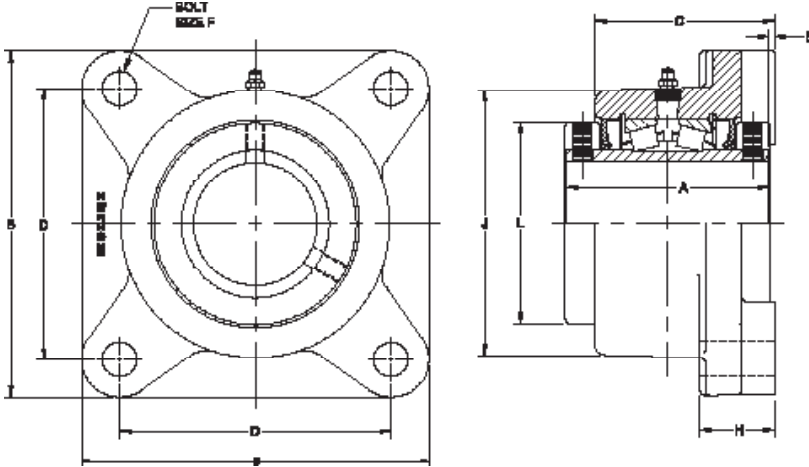




MOLINE BEARING CO.

19311107 Type E 4-Bolt Flange

MADE IN THE USA WITH TIMKEN® DEE TAPERED ROLLER BEARINGS



SHAFT SIZE	MOLINE PART #	DIMENSIONS (INCHES)									WEIGHT LBS.
		A	B	C	D	E	F	H	J	L	
1 7/16	19311107	3	4 5/8	2 19/32	3 1/2	1/16	1/2	1 1/16	3 7/8	2 3/4	6.7

SHAFT SIZES	MINIMUM HOURS LIFE*	RADIAL LOAD RATINGS AT VARIOUS REVOLUTIONS PER MINUTE									
		50	100	150	250	500	750	1000	1200	1360	1530
1 7/16	10000	10928	8877	7860	6743	5477	4850	4449	4212	4057	3916
	30000	7860	6384	5653	4850	3939	3488	3200	3029	2918	2816
	40000	7210	5856	5186	4449	3614	3200	2935	2779	2677	2584
	60000	6384	5186	4592	3939	3200	2833	2599	2461	2370	2288
	100000	5477	4449	3939	3380	2745	2431	2230	2111	2033	1963

SHAFT SIZES	RADIAL LOAD RATINGS AT VARIOUS REVOLUTIONS PER MINUTE								
	1640	1750	2060	2420	2730	3050	3320	3820	4490
1 7/16	3835	3761	3582	3413	3292	3184	3104	-----	-----
	2758	2705	2576	2455	2367	2290	2232	-----	-----
	2530	2482	2363	2252	2172	2101	2048	-----	-----
	2241	2197	2092	1994	1923	1860	1813	-----	-----
	1922	1885	1795	1710	1650	1596	1556	-----	-----

SHAFT SIZE	MAXIMUM RPM LABYRINTH SEAL	MAXIMUM RPM CONTACT SEAL
1 7/16	3320	2800

CAD drawings available upon request at no additional charge (cadlibrary@molinebearing.com).