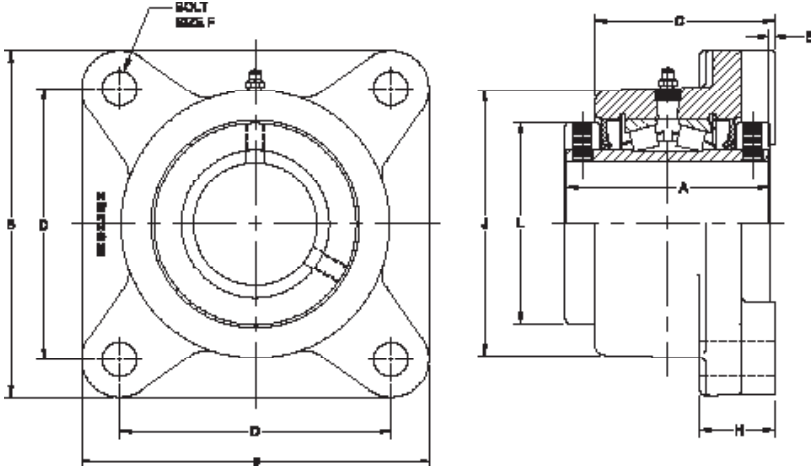




MOLINE BEARING CO.

19311203 Type E 4-Bolt Flange

MADE IN THE USA WITH TIMKEN® DEE TAPERED ROLLER BEARINGS



SHAFT SIZE	MOLINE PART #	DIMENSIONS (INCHES)									WEIGHT LBS.
		A	B	C	D	E	F	H	J	L	
2 3/16	19311203	3 3/4	6 1/4	3 9/32	4 7/8	1/8	5/8	1 3/8	4 7/8	3 3/4	16

SHAFT SIZES	MINIMUM HOURS LIFE*	RADIAL LOAD RATINGS AT VARIOUS REVOLUTIONS PER MINUTE									
		50	100	150	250	500	750	1000	1200	1360	1530
2 3/16	10000	15155	12310	10900	9351	7596	6726	6170	5841	5626	5431
	30000	10900	8854	7840	6726	5463	4837	4437	4201	4046	3906
	40000	9999	8121	7191	6170	5011	4437	4070	3854	3712	3583
	60000	8854	7191	6368	5463	4437	3929	3604	3412	3287	3172
	100000	7596	6170	5463	4687	3807	3371	3092	2928	2820	2722

SHAFT SIZES	RADIAL LOAD RATINGS AT VARIOUS REVOLUTIONS PER MINUTE								
	1640	1750	2060	2420	2730	3050	3320	3820	4490
2 3/16	5319	5216	4967	4733	4565	----	----	----	----
	3825	3752	3572	3404	3283	----	----	----	----
	3509	3441	3277	3122	3012	----	----	----	----
	3107	3047	2902	2765	2667	----	----	----	----
	2666	2614	2489	2372	2288	----	----	----	----

SHAFT SIZE	MAXIMUM RPM LABYRINTH SEAL	MAXIMUM RPM CONTACT SEAL
2 3/16	2730	2300

CAD drawings available upon request at no additional charge (cadlibrary@molinebearing.com).