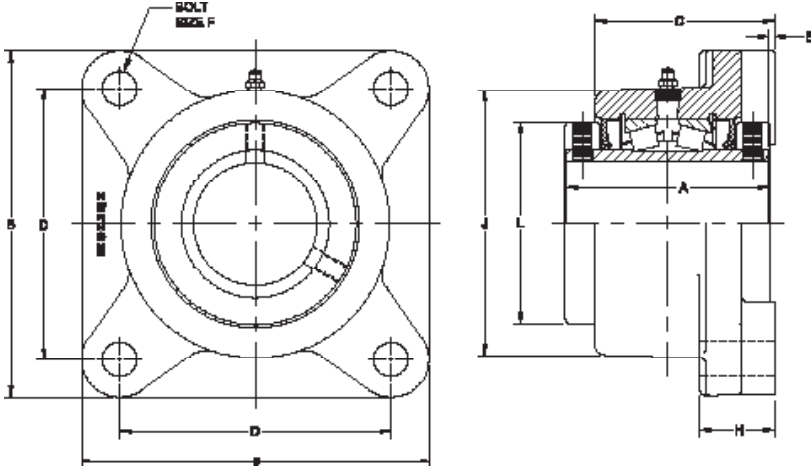




MOLINE BEARING CO.

19311307 Type E 4-Bolt Flange

MADE IN THE USA WITH TIMKEN® DEE TAPERED ROLLER BEARINGS



SHAFT SIZE	MOLINE PART #	DIMENSIONS (INCHES)									WEIGHT LBS.
		A	B	C	D	E	F	H	J	L	
3 ⁷ / ₁₆	119311307	5	9 ¹ / ₄	4 ¹ / ₂	7	1 ¹ / ₄	3 ³ / ₄	1 ⁷ / ₈	7 ⁵ / ₈	5 ⁵ / ₁₆	51

SHAFT SIZES	MINIMUM HOURS LIFE*	RADIAL LOAD RATINGS AT VARIOUS REVOLUTIONS PER MINUTE									
		50	100	150	200	500	750	1000	1200	1360	1530
3 ⁷ / ₁₆	10000	27252	22135	19600	16815	13658	12094	11094	10503	10116	9765
	30000	19600	15920	14097	12094	9823	8698	7979	7554	7276	7023
	40000	17979	14604	12931	11094	9011	7979	7319	6930	6674	6443
	60000	15920	12931	11450	9823	7979	7065	6481	6136	5910	5705
	100000	13658	11094	9823	8428	6845	6061	5560	5264	5070	4894

SHAFT SIZES	RADIAL LOAD RATINGS AT VARIOUS REVOLUTIONS PER MINUTE								
	1640	1750	2060	2420	2730	3050	3320	3820	4490
3 ⁷ / ₁₆	9564	----	----	----	----	----	----	----	----
	6879	----	----	----	----	----	----	----	----
	6310	----	----	----	----	----	----	----	----
	5587	----	----	----	----	----	----	----	----
	4793	----	----	----	----	----	----	----	----

SHAFT SIZE	MAXIMUM RPM LABYRINTH SEAL	MAXIMUM RPM CONTACT SEAL
3 ⁷ / ₁₆	1640	1640

CAD drawings available upon request at no additional charge (cadlibrary@molinebearing.com).