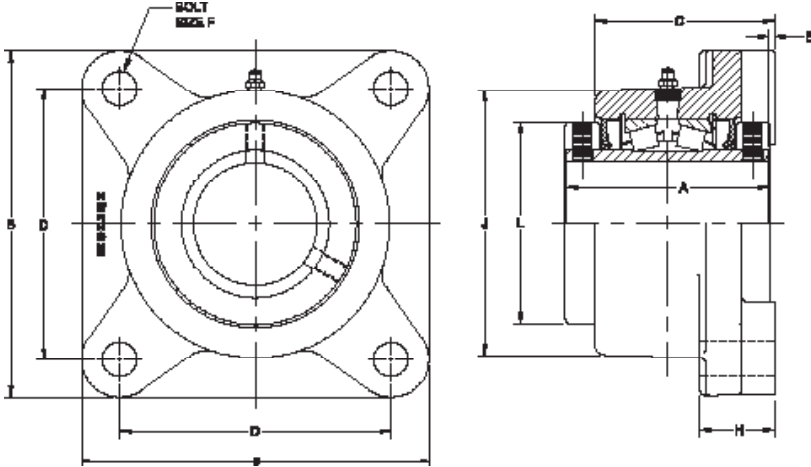




MOLINE BEARING CO.

19311315 Type E 4-Bolt Flange

MADE IN THE USA WITH TIMKEN® DEE TAPERED ROLLER BEARINGS



SHAFT SIZE	MOLINE PART #	DIMENSIONS (INCHES)									WEIGHT LBS.
		A	B	C	D	E	F	H	J	L	
3 ¹⁵ / ₁₆	19311315	6 ¹ / ₄	10 ¹ / ₄	5 ⁵ / ₈	7 ³ / ₄	¹ / ₄	⁷ / ₈	2 ¹ / ₈	8 ⁷ / ₁₆	5 ³ / ₄	74

SHAFT SIZES	MINIMUM HOURS LIFE*	RADIAL LOAD RATINGS AT VARIOUS REVOLUTIONS PER MINUTE									
		50	100	150	200	500	750	1000	1200	1360	1530
3 ¹⁵ / ₁₆	10000	37401	30379	26900	23078	18745	16598	15226	14415	13884	13402
	30000	26900	21850	19347	16598	13482	11938	10951	10368	9986	9639
	40000	24676	20043	17747	15226	12367	10951	10045	9511	9160	8842
	60000	21850	17747	15715	13482	10951	9697	8895	8421	8111	7829
	100000	18745	15226	13482	11566	9395	8319	7631	7225	6959	6717

SHAFT SIZE	MAXIMUM RPM LABYRINTH SEAL	MAXIMUM RPM CONTACT SEAL
3 ¹⁵ / ₁₆	1530	1530

CAD drawings available upon request at no additional charge (cadlibrary@molinebearing.com).