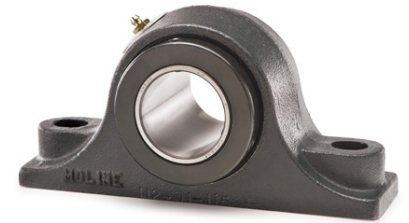
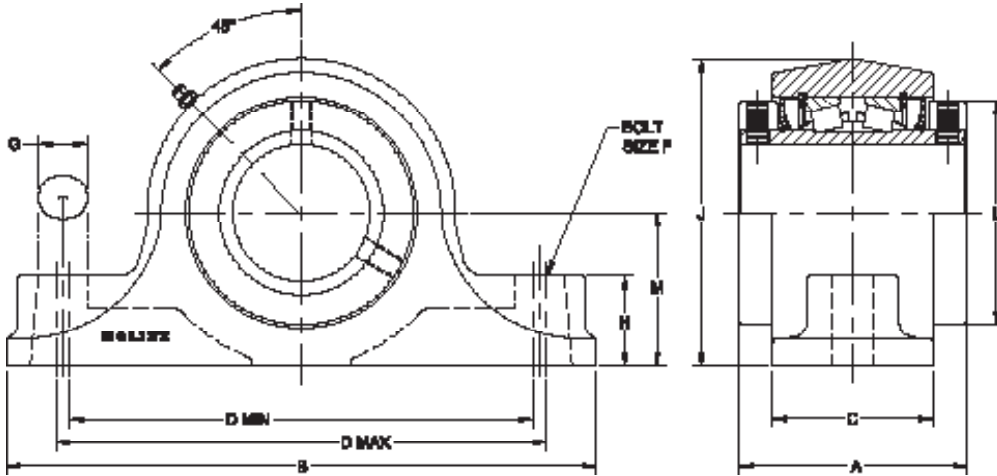




# MOLINE BEARING CO.

## 19321104 Type E 2-Bolt Pillow Block

MADE IN THE USA WITH TIMKEN® DEE TAPERED ROLLER BEARINGS



SHAFT SIZE	MOLINE PART #	DIMENSIONS (INCHES)												WEIGHT LBS.
		A	B	C	MIN D	CENTER TO CENTER D	MAX D	F	G	H	J	L	M	
1 1/4	19321104	2 3/4	6	1 7/8	4 5/8	4 3/4	4 7/8	3/8	1 9/32	7/8	3	2 1/4	1 1/2	4

SHAFT SIZES	MINIMUM HOURS LIFE*	RADIAL LOAD RATINGS AT VARIOUS REVOLUTIONS PER MINUTE									
		50	100	150	250	500	750	1000	1200	1360	1530
1 1/4	10000	5297	4303	3810	3269	2655	2351	2157	2042	1966	1898
	30000	3810	3095	2740	2351	1910	1691	1551	1468	1414	1365
	40000	3495	2839	2514	2157	1752	1551	1423	1347	1297	1252
	60000	3095	2514	2226	1910	1551	1373	1260	1193	1149	1109
	100000	2655	2157	1910	1638	1331	1178	1081	1023	986	951

SHAFT SIZES	RADIAL LOAD RATINGS AT VARIOUS REVOLUTIONS PER MINUTE								
	1640	1750	2060	2420	2730	3050	3320	3820	4490
1 1/4	1859	1823	1736	1654	1596	1543	1505	1443	1374
	1337	1311	1249	1190	1148	1110	1082	1038	988
	1227	1203	1145	1091	1053	1018	993	952	907
	1086	1065	1014	966	932	902	879	843	803
	932	914	870	829	800	774	754	723	689

SHAFT SIZE	MAXIMUM RPM LABYRINTH SEAL	MAXIMUM RPM CONTACT SEAL
1 1/4	4490	3800

CAD drawings available upon request at no additional charge (cadlibrary@molinebearing.com).