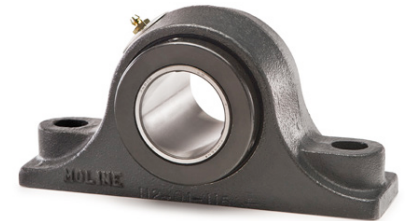
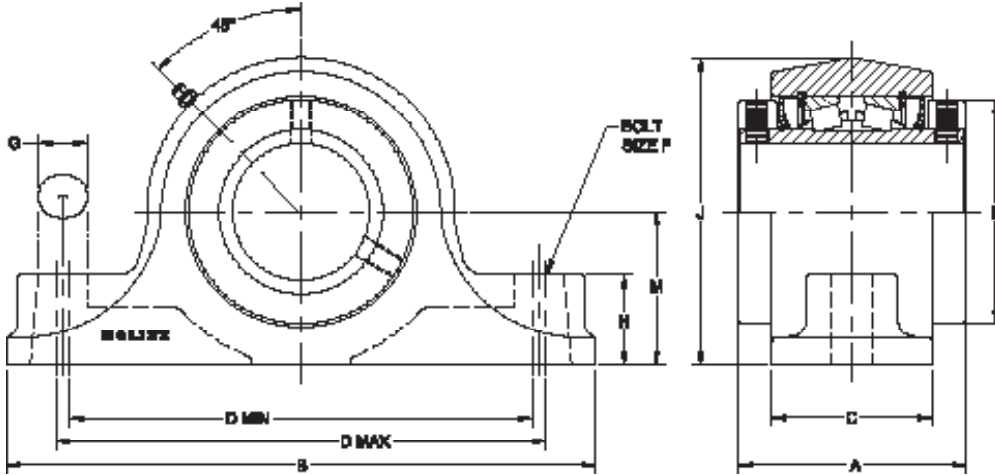




MOLINE BEARING CO.

19321107 Type E 2-Bolt Pillow Block

MADE IN THE USA WITH TIMKEN® DEE TAPERED ROLLER BEARINGS



SHAFT SIZE	MOLINE PART #	DIMENSIONS (INCHES)											WEIGHT LBS.	
		A	B	C	MIN D	CENTER TO CENTER D	MAX D	F	G	H	J	L		M
1 7/16	19321107	3	7 3/8	2 1/8	5	5 1/2	6	1/2	1 1/8	1 1/8	3 7/8	2 3/4	1 7/8	6.9

SHAFT SIZES	MINIMUM HOURS LIFE*	RADIAL LOAD RATINGS AT VARIOUS REVOLUTIONS PER MINUTE									
		50	100	150	250	500	750	1000	1200	1360	1530
1 7/16	10000	8481	6889	6100	5233	4251	3764	3453	3269	3148	3039
	30000	6100	4955	4387	3764	3057	2707	2483	2351	2264	2186
	40000	5596	4545	4024	3453	2804	2483	2278	2157	2077	2005
	60000	4955	4024	3564	3057	2483	2199	2017	1910	1839	1775
	100000	4251	3453	3057	2623	2130	1886	1730	1638	1578	1523

SHAFT SIZES	RADIAL LOAD RATINGS AT VARIOUS REVOLUTIONS PER MINUTE								
	1640	1750	2060	2420	2730	3050	3320	3820	4490
1 7/16	2976	2919	2780	2649	2555	2471	2409	2310	-----
	2141	2099	1999	1905	1837	1777	1733	1661	-----
	1964	1926	1834	1747	1685	1630	1589	1524	-----
	1739	1705	1624	1547	1492	1444	1407	1349	-----
	1492	1463	1393	1327	1280	1238	1207	1158	-----

SHAFT SIZE	MAXIMUM RPM LABYRINTH SEAL	MAXIMUM RPM CONTACT SEAL
1 7/16	3820	3200

CAD drawings available upon request at no additional charge (cadlibrary@molinebearing.com).