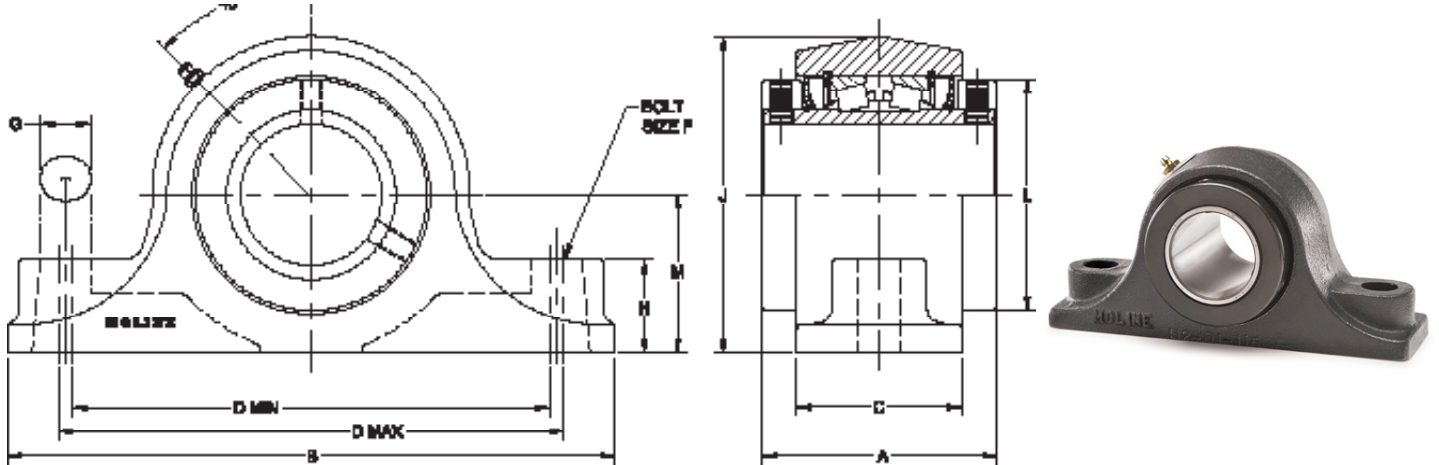




MOLINE BEARING CO.

19321112 Type E 2-Bolt Pillow Block

MADE IN THE USA WITH TIMKEN® DEE TAPERED ROLLER BEARINGS



| SHAFT SIZE | MOLINE PART # | DIMENSIONS (INCHES) | | | | | | | | | | | | WEIGHT LBS. |
|------------|---------------|---------------------|-------|-------|-------|--------------------|-------|-----|--------|--------|-------|-------|-------|-------------|
| | | A | B | C | MIN D | CENTER TO CENTER D | MAX D | F | G | H | J | L | M | |
| 1 3/4 | 19321112 | 3 1/2 | 8 7/8 | 2 1/2 | 6 1/8 | 6 11/16 | 7 1/4 | 5/8 | 1 5/16 | 1 5/16 | 4 1/2 | 3 3/8 | 2 1/4 | 11 |

| SHAFT SIZES | MINIMUM HOURS LIFE* | RADIAL LOAD RATINGS AT VARIOUS REVOLUTIONS PER MINUTE | | | | | | | | | |
|-------------|---------------------|---|-------|-------|------|------|------|------|------|------|------|
| | | 50 | 100 | 150 | 250 | 500 | 750 | 1000 | 1200 | 1360 | 1530 |
| 1 3/4 | 10000 | 14321 | 11632 | 10300 | 8837 | 7178 | 6355 | 5830 | 5520 | 5316 | 5132 |
| | 30000 | 10300 | 8366 | 7408 | 6355 | 5162 | 4571 | 4193 | 3970 | 3824 | 3691 |
| | 40000 | 9448 | 7674 | 6795 | 5830 | 4735 | 4193 | 3846 | 3642 | 3507 | 3386 |
| | 60000 | 8366 | 6795 | 6017 | 5162 | 4193 | 3713 | 3406 | 3225 | 3106 | 2998 |
| | 100000 | 7178 | 5830 | 5162 | 4429 | 3597 | 3185 | 2922 | 2766 | 2664 | 2572 |

| SHAFT SIZES | RADIAL LOAD RATINGS AT VARIOUS REVOLUTIONS PER MINUTE | | | | | | | | |
|-------------|---|------|------|------|------|------|------|------|------|
| | 1640 | 1750 | 2060 | 2420 | 2730 | 3050 | 3320 | 3820 | 4490 |
| 1 3/4 | 5026 | 4929 | 4694 | 4472 | 4313 | 4172 | ---- | ---- | ---- |
| | 3615 | 3545 | 3376 | 3217 | 3102 | 3001 | ---- | ---- | ---- |
| | 3316 | 3252 | 3097 | 2951 | 2846 | 2753 | ---- | ---- | ---- |
| | 2936 | 2879 | 2742 | 2613 | 2520 | 2437 | ---- | ---- | ---- |
| | 2519 | 2470 | 2352 | 2241 | 2162 | 2091 | ---- | ---- | ---- |

| SHAFT SIZE | MAXIMUM RPM LABYRINTH SEAL | MAXIMUM RPM CONTACT SEAL |
|------------|----------------------------|--------------------------|
| 1 3/4 | 3050 | 2650 |

CAD drawings available upon request at no additional charge (cadlibrary@molinebearing.com).