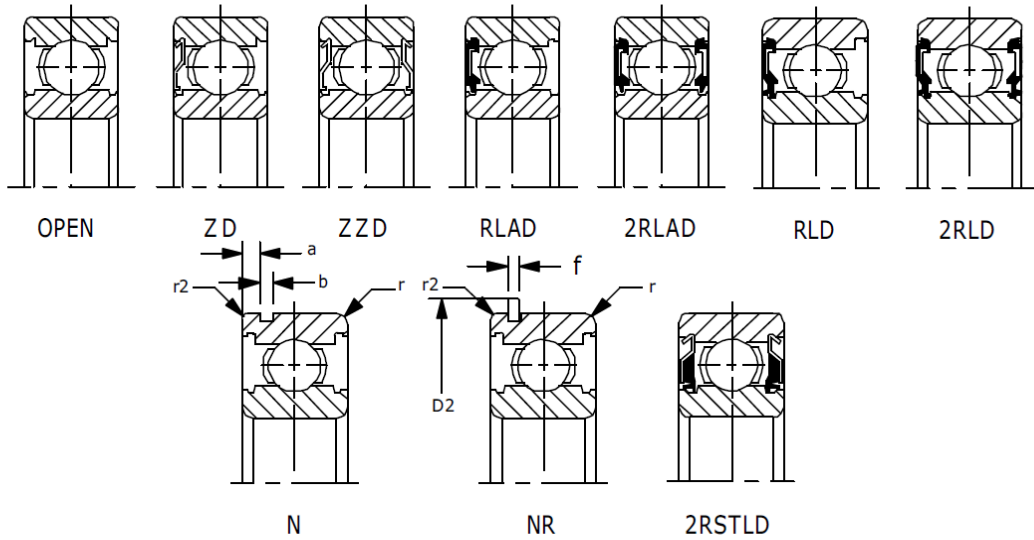
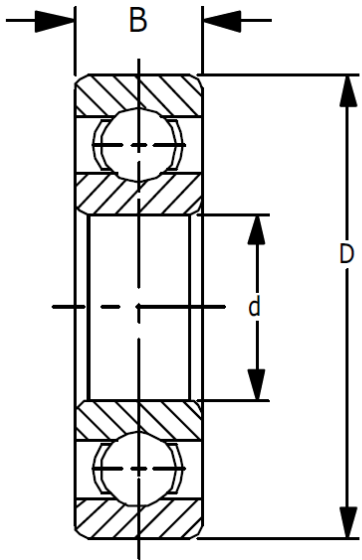


Similar in function to the 6200 series. Produced with larger ball complement enabling the bearing to withstand greater radial and thrust for a given bore size. This series is available with shields, Buna N seals, or locating rings. Sealed bearings may be obtained with either low or high starting torques. Consult Peer's engineering staff for proper selection. Stainless steel 440C material is available upon request. Radial clearance is selected in accordance with applications ranging from C2 - C0 - C3 - C4 fits.



Units: Inches  
Metric

Part Number	Bore d	Tolerance +.0000 to minus	OD D	Tolerance +.0000 to minus	Width B	Tolerance +.0000 to minus	* fillet radii		snap ring dimensions		snap ring groove dimensions		Basic Load Ratings lbf N		Weight lb Kg	Limiting speed of Open Bearing (rpm)	
							r	r2	D2 Max	f Max	a Max	b Min	Dynamic Cr	Static Cor		oil	grease
63/22	.8661 22	.0004 .010	2.2047 56	.0005 .013	.6299 16	.0047 .120	.043 1.1	.020 .5	2.429 61.7	.044 1.12	.097 2.46	.053 1.35	4,140 18,400	2,080 9,250	.394 .179	15,000	13,000