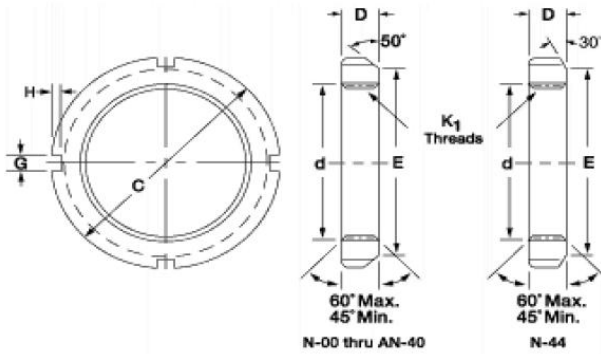


# N-00 SERIES

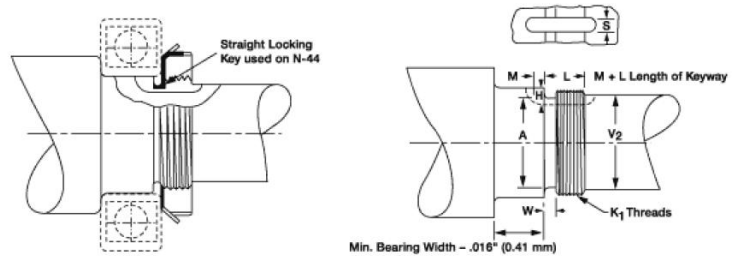
## LOCKNUT DIMENSIONS INCH DESIGN / FOR BALL BEARINGS AND CYLINDRICAL, SPHERICAL AND TAPERED ROLLER BEARINGS



LOCKNUT NO.	THREADS		OUTSIDE DIA. C MAX	FACE DIA. E MAX	NUT WIDTH D MAX	SLOT WIDTH G MIN	SLOT DEPTH H MAX	FACE RUNOUT Sd MAX	APP. WT. LB/C
	MAJOR DIA. d MIN	NO. PER IN. K1							
AN-16	3.137	12	4.161	3.844	.604	.360	.135	.004	92.5

# N-00 SERIES

## SHAFT DIMENSIONS INCH DESIGN / FOR BALL BEARINGS AND CYLINDRICAL, SPHERICAL AND TAPERED ROLLER BEARINGS



LOCKNUT NO.	BEARING BORE	V2 MAX	NO PER IN K1	MAJOR DIA. MAX	THREADS		LENGTH L MAX	RELIEF			KEYWAY	
					PITCH DIA. MAX	MINOR DIA. MAX		DIA. A MAX	WIDTH W MAX	DEPTH H MIN	WIDTH S MIN	M MIN
AN-16	3.1496	3.000	12	3.137	3.0829	3.0348	.703	3.0135	.172	.125	.375	.250