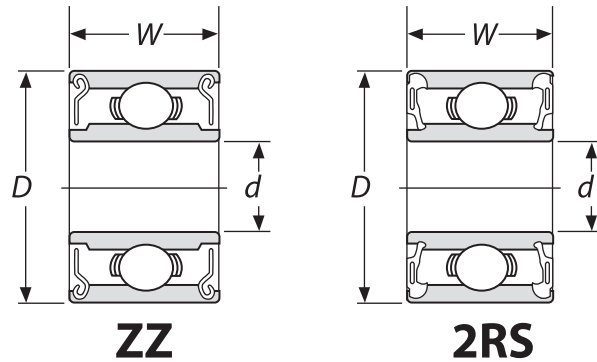


# RADIAL BALL BEARINGS

## 6000 SERIES EXTRA LIGHT DUTY - METRIC



Bore mm d	OD mm D	Width mm W	Bearing Number	Basic Load Rating		Speed Rating		Weight (lb)
				Dynamic	Static	Grease RPM	Oil RPM	
10	26	8	<b>6000</b>	1030	440	29000	34000	0.042
12	28	8	<b>6001</b>	1150	540	26000	30000	0.050
15	32	9	<b>6002</b>	1260	640	15000	28000	0.070
17	35	10	<b>6003</b>	1350	730	13000	26000	0.090
20	42	12	<b>6004</b>	2110	1140	18000	21000	0.150
25	47	12	<b>6005</b>	2260	1320	15000	18000	0.180
30	55	13	<b>6006</b>	2970	1860	13000	15000	0.260
35	62	14	<b>6007</b>	3600	2310	12000	14000	0.340
40	68	15	<b>6008</b>	3750	2590	10000	12000	0.420
45	75	16	<b>6009</b>	4720	3400	9000	11000	0.520
50	80	16	<b>6010</b>	4900	3700	8400	9800	0.570
55	90	18	<b>6011</b>	6350	4850	7700	9000	0.850
60	95	18	<b>6012</b>	6600	5200	7000	8300	0.915
65	100	18	<b>6013</b>	6850	5850	6500	7700	0.930
70	110	20	<b>6014</b>	8550	6950	6100	7100	1.330
75	115	20	<b>6015</b>	8890	7550	5700	6700	1.430
80	125	22	<b>6016</b>	10700	8950	5300	6200	1.880
85	130	22	<b>6017</b>	11100	9700	5000	5900	1.960
90	140	24	<b>6018</b>	13100	11200	4750	5600	2.560
95	145	24	<b>6019</b>	13600	12100	4300	5300	2.670
100	150	24	<b>6020</b>	14200	12200	4000	5000	2.760
105	160	26	<b>6021</b>	16300	14800	3700	4700	3.510

\* Also available with snap ring (NR suffix)



www.bl-bearings.com

# DEEP GROOVE BALL BEARINGS

## PART NUMBER NOMENCLATURE

Each BL Deep Groove Ball Bearing part number is a unique combination indicating the bearing's type, series, internal clearance, bore size, seal and shields.

