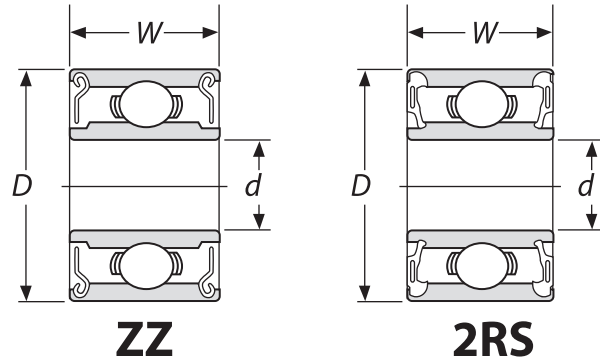


# RADIAL BALL BEARINGS

## 61900 SERIES THIN SECTION - METRIC



Bore mm d	OD mm D	Width mm W	Bearing Number	Basic Load Rating		Speed Rating		Weight (lb)
				Dynamic	Static	Grease RPM	Oil RPM	
10	22	6	<b>61900</b>	610	290	28000	38000	0.02
12	24	6	<b>61901</b>	650	330	27000	36000	0.02
15	28	7	<b>61902</b>	980	510	24000	30000	0.03
17	30	7	<b>61903</b>	1040	570	22000	28000	0.04
20	37	9	<b>61904</b>	1440	830	18000	22000	0.08
25	42	9	<b>61905</b>	1590	1020	15000	19000	0.09
30	47	9	<b>61906</b>	1630	1130	13000	17000	0.11
35	55	10	<b>61907</b>	2390	1630	11000	15000	0.17
40	62	12	<b>61908</b>	3080	2250	10000	13000	0.25
45	68	12	<b>61909</b>	3400	2530	9000	12000	0.28
50	72	12	<b>61910</b>	3500	2750	8000	11000	0.29
55	80	13	<b>61911</b>	3600	2980	7000	9600	0.40
60	85	13	<b>61912</b>	3700	3200	6500	8900	0.42
65	90	13	<b>61913</b>	4610	3480	6000	8200	0.45
70	100	16	<b>61914</b>	5350	4750	5700	7700	0.74
75	105	16	<b>61915</b>	5500	5100	5400	7200	0.78

