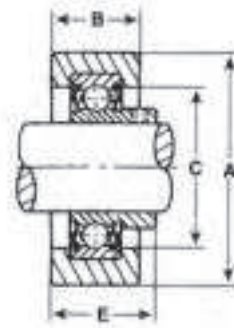
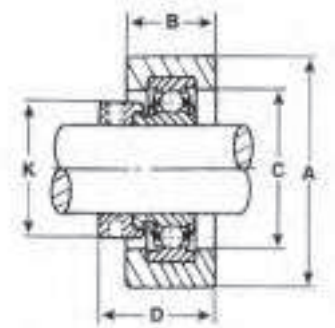


RUBBER MOUNTED CARTRIDGE UNITS

RCSM ECCENTRIC LOCKING COLLAR TYPE
RCSMS SET SCREW LOCKING TYPE



RCSM S



RCSM

- Conductive rubber interliner
- Used to dissipate static and reduce noise and vibration

RCSM ECCENTRIC LOCKING COLLAR TYPE

Unit No.	Shaft Dia. d (in.)	Dimension (in)						Bearing No.	Weight (lb)
		A	B	C	D	E	K		
RCSM-8 RCSM-10	1/2 5/8	2-17/32	1	1-3/8	1-3/8	–	1-1/8	CSA201-8 CSA202-10	0.44
RCSM-12	3/4	2-17/32	1	1-9/16	1-27/64	–	1-5/16	CSA204-12	0.52
RCSM-14 RCSM-15 RCSM-16	7/8 15/16 1	2-17/32	1	1-25/32	1-27/64	–	1-1/2	CSA205-14 CSA205-15 CSA205-16	0.65
LRCSM-19	1-3/16	2-7/32	1	1-7/8	1-9/32	–	1-21/32	CSA006-19	0.62

RCSMS SET SCREW LOCKING TYPE

Unit No.	Shaft Dia. d (in.)	Dimension (in)						Bearing No.	Weight (lb)
		A	B	C	D	E	K		
RCSM-8S RCSM-10S	1/2 5/8	2-17/32	1	1-3/8	1-3/8	1-9/64	–	CSB201-8 CSB202-10	0.35
RCSM-12S	3/4	2-17/32	1	1-9/16	1-27/64	1-7/32	–	CSB204-12	0.48
RCSM-14S RCSM-15S RCSM-16S	7/8 15/16 1	2-17/32	1	1-25/32	1-27/64	1-9/32	–	CSB205-14 CSB205-15 CSB205-16	0.53

