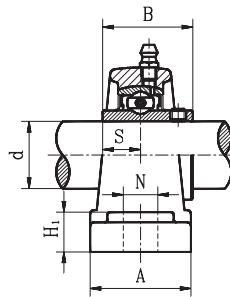
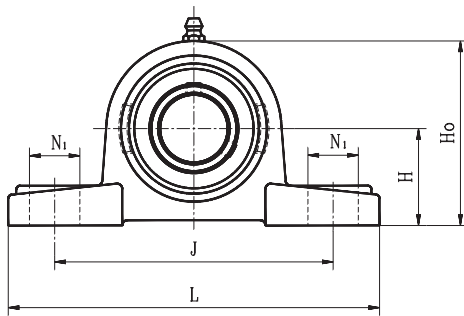


PILLOW BLOCKS

UCPX MEDIUM DUTY SET SCREW LOCKING TYPE



- Cast iron housing - solid base
- Wide inner ring bearing

| Unit No. | Shaft Dia. d | | Dimension (in) (mm) | | | | | | | | | | Bolt Size (in) | Bearing No. | Housing No. | Weight (lb) |
|--|---------------------------|------|---------------------|-----------------|----------------|---------------|--------------|--------------|---------------|----------------|----------------|-----------------|----------------|---|-------------|-------------|
| | (in.) | (mm) | H | L | J | A | N | N1 | H1 | H0 | S | B | | | | |
| UCPX05-16 UCPX05-25MM | 1 | 25 | 1-3/4 44.4 | 6-9/32 159 | 4-11/16 119 | 2-1/32 51 | 11/16 17 | 13/16 20 | 11/16 17 | 3-3/8 85 | 21/32 15.9 | 1-1/2 38.1 | 9/16 | UCX05-16 UCX05-25MM | PX05 | 3.306 |
| UCPX06-18 UCPX06-19 UCPX06-20 UCPX06-30MM | 1-1/8 1-3/16 1-1/4 | 30 | 1-29/32 47.6 | 6-29/32 175 | 5 127 | 2-5/32 54 | 11/16 17 | 13/16 20 | 13/16 20 | 3-11/16 93 | 11/16 17.5 | 1-11/16 42.9 | 9/16 | UCX06-18 UCX06-19 UC207-20 UCX06-30MM | PX06 | 4.629 |
| UCPX07-20 UCPX07-22 UCPX07-23 UCPX07-35MM | 1-1/4 1-3/8 1-7/16 | 35 | 2-5/32 54 | 8 203 | 5-11/16 144 | 2-1/4 57 | 11/16 17 | 13/16 20 | 27/32 21 | 4-5/32 105 | 3/4 19 | 1-15/16 49.2 | 9/16 | UCX07-20 UCX07-22 UCX07-23 UCX07-35MM | PX07 | 5.952 |
| UCPX08-24 UCPX08-40MM | 1-1/2 | 40 | 2-5/16 58.7 | 8-3/4 222 | 6-5/32 156 | 2-9/16 65 | 13/16 20 | 29/32 23 | 29/32 23 | 4-7/16 112 | 3/4 19 | 1-15/16 49.2 | 5/8 | UCX08-24 UCX08-40MM | PX08 | 7.716 |
| UCPX09-26 UCPX09-27 UCPX09-28 UCPX09-45MM | 1-5/8 1-11/16 1-3/4 | 45 | 2-5/16 58.7 | 8-3/4 222 | 6-5/32 156 | 2-21/32 67 | 13/16 20 | 29/32 23 | 1 25 | 4-19/32 116 | 3/4 19 | 2-1/32 51.6 | 5/8 | UCX-09-26 UCX-09-27 UCX-09-28 UCX09-45MM | PX09 | 8.157 |
| UCPX10-30 UCPX10-31 UCPX10-32 UCPX10-50MM | 1-7/8 1-15/16 2 | 50 | 2-1/2 63.5 | 9-15/32 240 | 6-3/4 171 | 2-13/16 71 | 13/16 20 | 29/32 23 | 31/32 24 | 4-31/32 126 | 7/8 22 | 2-7/32 55.6 | 5/8 | UCX10-30 UCX10-31 UC211-32 UCX10-50MM | PX10 | 10.141 |
| UCPX11-34 UCPX11-35 UCPX11-36 UCPX11-55MM | 2-1/8 2-3/16 2-1/4 | 55 | 2-3/4 69.8 | 10-1/4 260 | 7-1/4 184 | 3-1/8 79 | 1 25 | 1-1/8 28 | 1-5/32 29 | 5-13/32 137 | 1 25.4 | 2-19/32 65.1 | 3/4 | UCX11-34 UCX11-35 UC212-36 UCX11-55MM | PX11 | 14.330 |
| UCPX12-38 UCPX12-39 UCPX12-60MM | 2-3/8 2-7/16 | 60 | 3 76.2 | 11 280 | 8 203 | 3-7/32 81 | 1 25 | 1-1/8 28 | 1-1/4 31 | 5-7/8 149 | 1 25.4 | 2-19/32 65.1 | 3/4 | UCX12-38 UCX12-39 UCX12-60MM | PX12 | 16.975 |
| UCPX13-40 UCPX13-65MM | 2-1/2 | 65 | 3 76.2 | 12-19/32 286 | 8 203 | 3-9/32 83 | 1 25 | 1-1/8 28 | 1-5/16 33 | 6 152 | 1-7/32 30.2 | 2-15/16 74.6 | 3/4 | UCX13-40 UCX13-65MM | PX13 | 17.857 |
| UCPX14-43 UCPX14-44 UCPX14-70MM | 2-11/16 2-3/4 | 70 | 3-1/2 88.9 | 12-19/32 320 | 9-1/32 229 | 3-3/8 85 | 1-3/32 27 | 1-3/16 30 | 1-11/32 34 | 6-23/32 170 | 1-5/16 33.3 | 3-3/32 77.8 | 7/8 | UCX14-43 UCX14-44 UCX14-70MM | PX14 | 22.487 |
| UCPX15-47 UCPX15-48 UCPX15-75MM | 2-15/16 3 | 75 | 3-1/2 88.9 | 13 330 | 9-1/32 229 | 3-5/8 92 | 1-3/32 27 | 1-3/16 30 | 1-13/32 35 | 6-29/32 175 | 1-5/16 33.3 | 3-9/32 82.6 | 7/8 | UCX15-47 UCX15-48 UCX15-75MM | PX15 | 23.809 |

