

# EPT E CATALOG - PART DETAIL

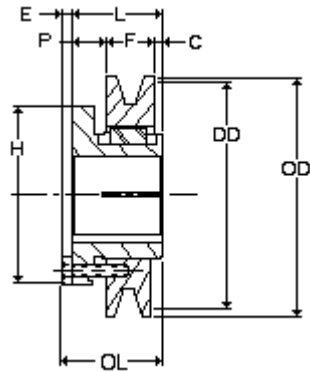
## Browning 1B5V48

Cast Iron, 1 Groove, A, B or 5V Belt, Split Taper Sheave, Uses B Bushing



*Images may not be an exact representation of the product*

|                           |                    |
|---------------------------|--------------------|
| <b>Product Type:</b>      | Split Taper Sheave |
| <b>Type of Belt:</b>      | A, B, 5V           |
| <b>Number of Grooves:</b> | 1                  |
| <b>Bore (Min):</b>        | 0.5                |
| <b>Bore (Max):</b>        | 2.4375             |
| <b>Bushing Used:</b>      | B                  |



| Part No  | Description | PD (5V) | PD (A) | DD (A)   | PD (B)   | DD (B)   |
|----------|-------------|---------|--------|----------|----------|----------|
| 3693611  | 1B5V48      | 4.9     | 4.6    | 4.4      | 5.1      | 4.8      |
| OL       | OD          | F       | L      | P        | C        | E        |
| 2.140625 | 5.08        | 1       | 1.9375 | 0.859375 | 0.078125 | 0.203125 |
| H        |             |         |        |          |          |          |
| 3.6875   |             |         |        |          |          |          |