

# EPT E CATALOG - PART DETAIL

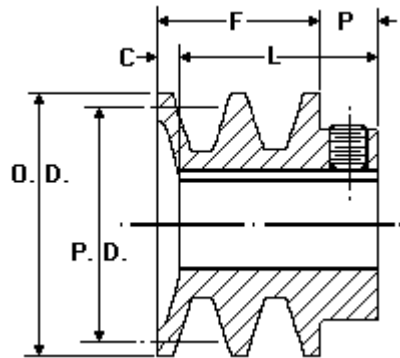
## Browning 2AK22X7/8

Finished Bore Sheave, 7/8" Bore, Uses 3L, A Belt, 2 Grooves

<b>Product Type:</b>	Finished Bore Sheave
<b>Type of Belt:</b>	3L, A
<b>Number of Grooves:</b>	2
<b>Material:</b>	Cast Iron
<b>Feature 1:</b>	Largest Selection of finished bore sheaves of any other manufacturer - Browning offers finished bore sheaves in both A & B Combination (A/B) configuration. 1, 2 & 3 Grooves are available to meet any fractional horsepower requirement.
<b>Feature 2:</b>	Combination Groove - All Browning BK Sheaves permit the running of A, 4L, B & 5L Belts to be run in them, thus providing a variety of different pitch diameters and horsepowers.



*Images may not be an exact representation of the product*



Part No	Description	Bore	D.D. (A)	PD (A)	D.D. (3L)	C
1031731	2AK22X7/8	7/8	2.00	2.2	1.66	3/16
<b>F</b>	<b>P</b>	<b>L</b>	<b>O.D.</b>			
1 3/8	15/32	1 21/32	2.25			