

EPT E CATALOG - PART DETAIL

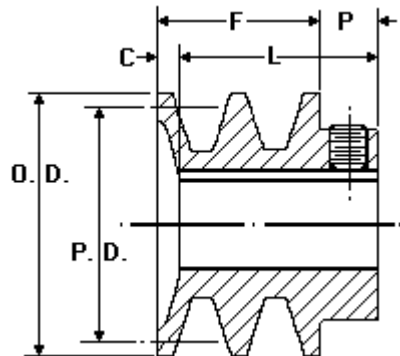
Browning 2AK26X7/8

Finished Bore Sheave, 7/8" Bore, Uses 3L, A Belt, 2 Grooves

Product Type:	Finished Bore Sheave
Type of Belt:	3L, A
Number of Grooves:	2
Material:	Cast Iron
Feature 1:	Largest Selection of finished bore sheaves of any other manufacturer - Browning offers finished bore sheaves in both A & B Combination (A/B) configuration. 1, 2 & 3 Grooves are available to meet any fractional horsepower requirement.
Feature 2:	Combination Groove - All Browning BK Sheaves permit the running of A, 4L, B & 5L Belts to be run in them, thus providing a variety of different pitch diameters and horsepowers.



Images may not be an exact representation of the product



Part No	Description	Bore	D.D. (A)	PD (A)	D.D. (3L)	C
1031871	2AK26X7/8	7/8	2.40	2.6	2.06	3/16
F	P	L	O.D.			
1 3/8	15/32	1 21/32	2.65			

