

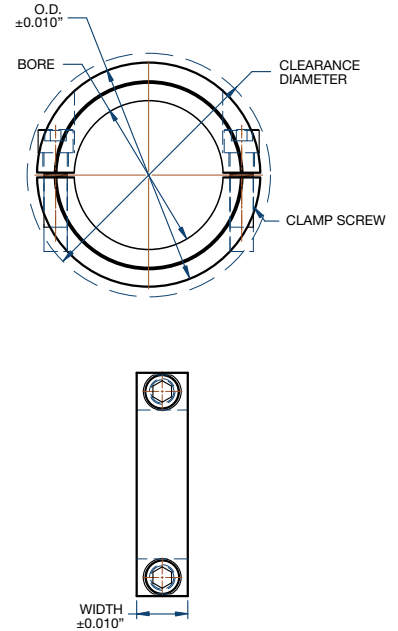
Clamping Collars

DOUBLE SPLIT



BLACKSTAR®

Part Number	Bore (in)	Bore Tolerance (in)		O.D. (in)	Width (in)	Clearance Dia. (in)	Clamping Screw (in)	Material*	Finish*
		Min.	Max.						
1/8 DBL SPL	0.1250	-0.0	+0.003	0.6875	0.31250	0.773	4-40 X 3/8	Steel	Black Oxide
3/16 DBL SPL	0.1875	-0.0	+0.003	0.6875	0.31250	0.773	4-40 x 3/8	Steel	Black Oxide
1/4 DBL SPL	0.2500	-0.0	+0.003	0.6875	0.31250	0.773	4-40 x 3/8	Steel	Black Oxide
5/16 DBL SPL	0.3125	-0.0	+0.003	0.6875	0.31250	0.838	4-40 x 3/8	Steel	Black Oxide
3/8 DBL SPL	0.3750	-0.0	+0.003	0.8750	0.37500	1.027	6-32 x 3/8	Steel	Black Oxide
7/16 DBL SPL	0.4375	-0.0	+0.003	0.9375	0.37500	1.080	6-32 x 3/8	Steel	Black Oxide
1/2 DBL SPL	0.5000	-0.0	+0.003	1.1250	0.40625	1.281	8-32 x 1/2	Steel	Black Oxide
9/16 DBL SPL	0.5625	-0.0	+0.003	1.3125	0.43750	1.448	10-32 x 1/2	Steel	Black Oxide
5/8 DBL SPL	0.6250	-0.0	+0.003	1.3125	0.43750	1.500	10-32 x 1/2	Steel	Black Oxide
11/16 DBL SPL	0.6875	-0.0	+0.003	1.5000	0.50000	1.564	10-32 x 1/2	Steel	Black Oxide
3/4 DBL SPL	0.7500	-0.0	+0.003	1.5000	0.50000	1.808	1/4-28 x 5/8	Steel	Black Oxide
13/16 DBL SPL	0.8125	-0.0	+0.003	1.6250	0.50000	1.916	1/4-28 x 5/8	Steel	Black Oxide
7/8 DBL SPL	0.8750	-0.0	+0.003	1.6250	0.50000	1.916	1/4-28 x 5/8	Steel	Black Oxide
15/16 DBL SPL	0.9375	-0.0	+0.003	1.7500	0.50000	2.032	1/4-28 x 5/8	Steel	Black Oxide
1 DBL SPL	1.0000	-0.0	+0.003	1.7500	0.50000	2.032	1/4-28 x 5/8	Steel	Black Oxide
1 1/16 DBL SPL	1.0625	-0.0	+0.003	1.8750	0.50000	2.140	1/4-28 x 5/8	Steel	Black Oxide
1 1/8 DBL SPL	1.1250	-0.0	+0.003	1.8750	0.50000	2.140	1/4-28 x 3/4	Steel	Black Oxide
1 3/16 DBL SPL	1.1875	-0.0	+0.003	2.0625	0.50000	2.295	1/4-28 x 3/4	Steel	Black Oxide
1 1/4 DBL SPL	1.2500	-0.0	+0.003	2.0625	0.50000	2.295	1/4-28 x 3/4	Steel	Black Oxide
1 5/16 DBL SPL	1.3125	-0.0	+0.003	2.2500	0.56250	2.351	1/4-28 x 3/4	Steel	Black Oxide
1 3/8 DBL SPL	1.3750	-0.0	+0.003	2.2500	0.56250	2.465	1/4-28 x 3/4	Steel	Black Oxide
1 7/16 DBL SPL	1.4375	-0.0	+0.003	2.2500	0.56250	2.465	1/4-28 x 3/4	Steel	Black Oxide
1 1/2 DBL SPL	1.5000	-0.0	+0.003	2.3750	0.56250	2.578	1/4-28 x 3/4	Steel	Black Oxide
1 9/16 DBL SPL	1.5625	-0.0	+0.003	2.3750	0.56250	2.578	1/4-28 x 3/4	Steel	Black Oxide
1 5/8 DBL SPL	1.6250	-0.0	+0.003	2.6250	0.68750	2.935	5/16-24 x 1	Steel	Black Oxide
1 11/16 DBL SPL	1.6875	-0.0	+0.003	2.7500	0.68750	3.046	5/16-24 x 1	Steel	Black Oxide
1 3/4 DBL SPL	1.7500	-0.0	+0.003	2.7500	0.68750	3.046	5/16-24 x 1	Steel	Black Oxide
1 13/16 DBL SPL	1.8125	-0.0	+0.003	2.8750	0.68750	3.160	5/16-24 x 1	Steel	Black Oxide
1 7/8 DBL SPL	1.8750	-0.0	+0.003	2.8750	0.68750	3.160	5/16-24 x 1	Steel	Black Oxide
1 15/16 DBL SPL	1.9375	-0.0	+0.003	3.0000	0.68750	3.273	5/16-24 x 1	Steel	Black Oxide
2 DBL SPL	2.0000	-0.0	+0.003	3.0000	0.68750	3.273	5/16-24 x 1	Steel	Black Oxide
2 1/16 DBL SPL	2.0625	-0.0	+0.003	3.2500	0.75000	3.360	5/16-24 x 1	Steel	Black Oxide
2 1/8 DBL SPL	2.1250	-0.0	+0.003	3.2500	0.75000	3.504	5/16-24 x 1	Steel	Black Oxide
2 3/16 DBL SPL	2.1875	-0.0	+0.003	3.2500	0.75000	3.504	5/16-24 x 1	Steel	Black Oxide
2 1/4 DBL SPL	2.2500	-0.0	+0.003	3.2500	0.75000	3.504	5/16-24 x 1	Steel	Black Oxide
2 5/16 DBL SPL	2.3125	-0.0	+0.003	3.5000	0.75000	3.591	5/16-24 x 1	Steel	Black Oxide
2 3/8 DBL SPL	2.3750	-0.0	+0.003	3.5000	0.75000	3.707	5/16-24 x 1	Steel	Black Oxide
2 7/16 DBL SPL	2.4375	-0.0	+0.003	3.5000	0.75000	3.707	5/16-24 x 1	Steel	Black Oxide
2 1/2 DBL SPL	2.5000	-0.0	+0.003	3.7500	0.87500	4.034	3/8-24 x 1	Steel	Black Oxide
2 9/16 DBL SPL	2.5625	-0.0	+0.003	3.8750	0.87500	4.148	3/8-24 x 1	Steel	Black Oxide
2 5/8 DBL SPL	2.6250	-0.0	+0.003	3.8750	0.87500	4.148	3/8-24 x 1	Steel	Black Oxide
2 11/16 DBL SPL	2.6875	-0.0	+0.003	4.0000	0.87500	4.265	3/8-24 x 1	Steel	Black Oxide
2 3/4 DBL SPL	2.7500	-0.0	+0.003	4.0000	0.87500	4.265	3/8-24 x 1	Steel	Black Oxide
2 13/16 DBL SPL	2.8125	-0.0	+0.003	4.2500	0.87500	4.499	3/8-24 x 1	Steel	Black Oxide
2 7/8 DBL SPL	2.8750	-0.0	+0.003	4.2500	0.87500	4.499	3/8-24 x 1	Steel	Black Oxide
2 15/16 DBL SPL	2.9375	-0.0	+0.003	4.2500	0.87500	4.499	3/8-24 x 1	Steel	Black Oxide
3 DBL SPL	3.0000	-0.0	+0.003	4.2500	0.87500	4.499	3/8-24 x 1	Steel	Black Oxide
3 3/16 DBL SPL	3.1875	-0.0	+0.003	4.5000	0.87500	4.600	3/8-24 x 1	Steel	Black Oxide
3 1/4 DBL SPL	3.2500	-0.0	+0.003	4.5000	0.87500	4.730	3/8-24 x 1	Steel	Black Oxide
3 3/8 DBL SPL	3.3750	-0.0	+0.003	4.7500	0.87500	5.050	3/8-24 x 1	Steel	Black Oxide
3 7/16 DBL SPL	3.4375	-0.0	+0.003	4.7500	0.87500	5.050	3/8-24 x 1	Steel	Black Oxide
3 1/2 DBL SPL	3.5000	-0.0	+0.003	4.7500	0.87500	5.050	3/8-24 x 1	Steel	Black Oxide
3 3/4 DBL SPL	3.7500	-0.0	+0.003	5.0000	0.87500	5.600	3/8-24 x 1	Steel	Black Oxide
3 15/16 BL SPL	3.9375	-0.0	+0.003	5.2500	0.87500	5.600	3/8-24 x 1	Steel	Black Oxide
4 DBL SPL	4.0000	-0.0	+0.003	5.2500	0.87500	5.600	3/8-24 x 1	Steel	Black Oxide
4 1/4 DBL SPL	4.2500	-0.0	+0.003	5.5000	0.87500	5.800	3/8-24 x 1	Steel	Black Oxide
4 7/16 DBL SPL	4.4375	-0.0	+0.003	5.7500	0.87500	6.000	3/8-24 x 1	Steel	Black Oxide
4 1/2 DBL SPL	4.5000	-0.0	+0.003	5.7500	0.87500	6.000	3/8-24 x 1	Steel	Black Oxide
4 15/16 DBL SPL	4.9375	-0.0	+0.003	6.2500	0.87500	6.500	3/8-24 x 1	Steel	Black Oxide
5 DBL SPL	5.0000	-0.0	+0.003	6.2500	0.87500	6.500	3/8-24 x 1	Steel	Black Oxide
5 1/4 DBL SPL	5.2500	-0.0	+0.003	6.7500	0.87500	7.000	3/8-24 x 1	Steel	Black Oxide
5 1/2 DBL SPL	5.5000	-0.0	+0.003	6.7500	0.87500	7.000	3/8-24 x 1	Steel	Black Oxide
5 15/16 DBL SPL	5.9375	-0.0	+0.003	7.2500	0.87500	7.500	3/8-24 x 1	Steel	Black Oxide
6 DBL SPL	6.0000	-0.0	+0.003	7.2500	0.87500	7.500	3/8-24 x 1	Steel	Black Oxide



*Additional material and finishes upon request (i.e. stainless steel, zinc plated, no finish).