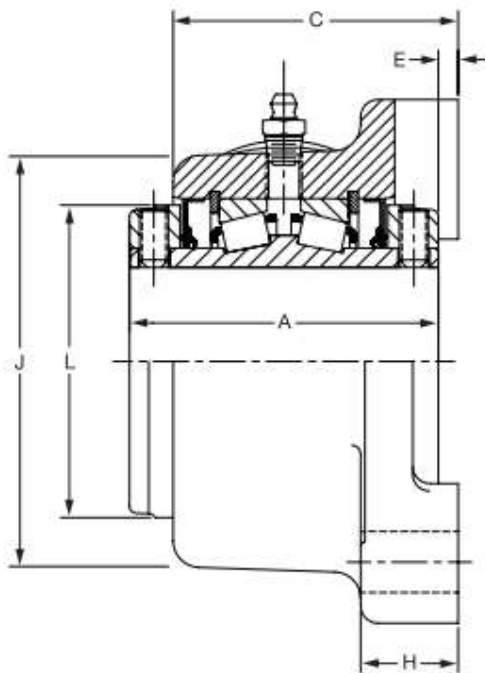
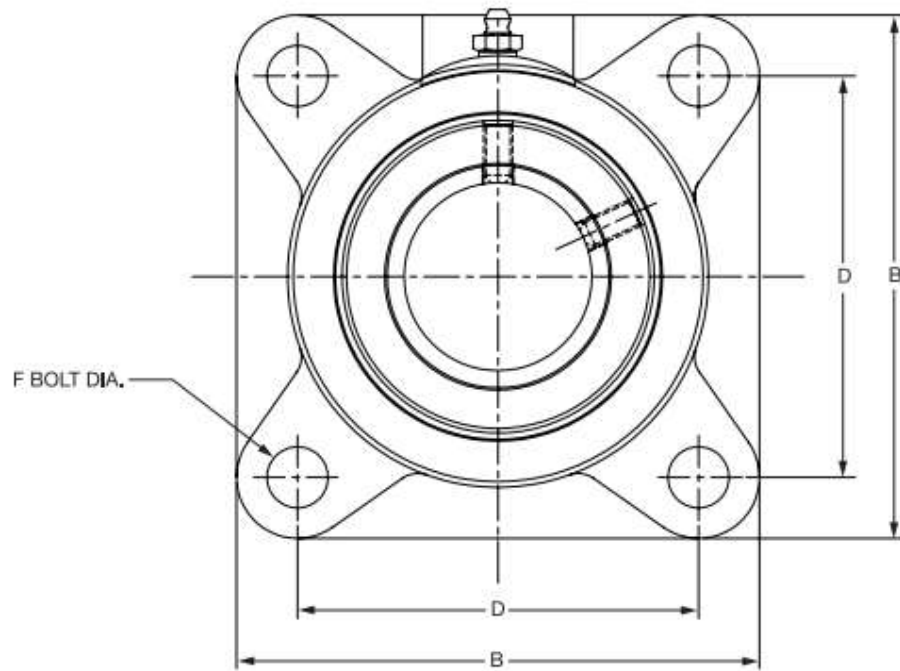
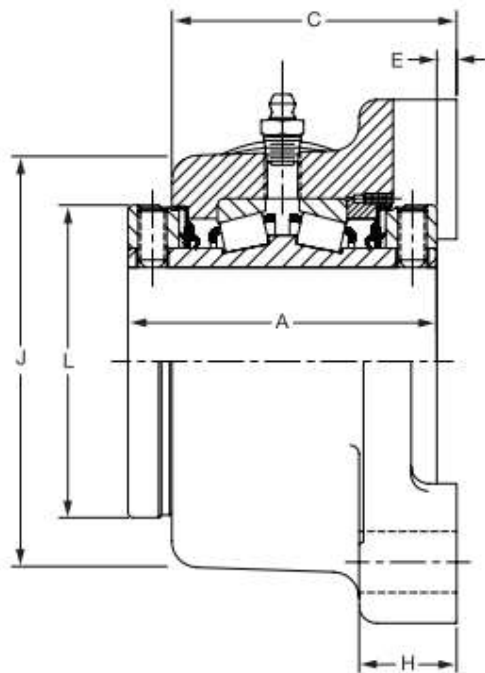


**Type E-Xtra Flange Bearing - Inch  
4-BOLT BASE**



1-3/16" THRU 3" CONSTRUCTION



3-3/16" THRU 4-1/2" CONSTRUCTION

