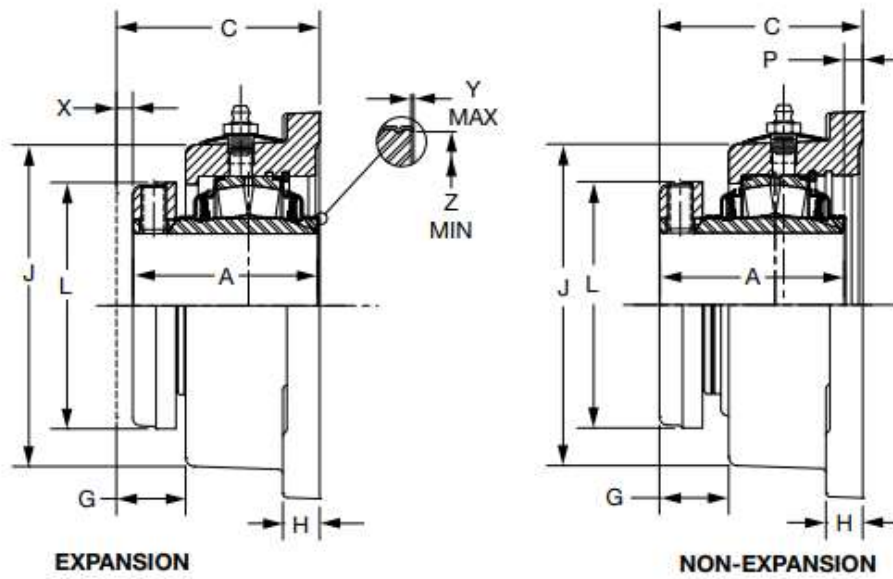
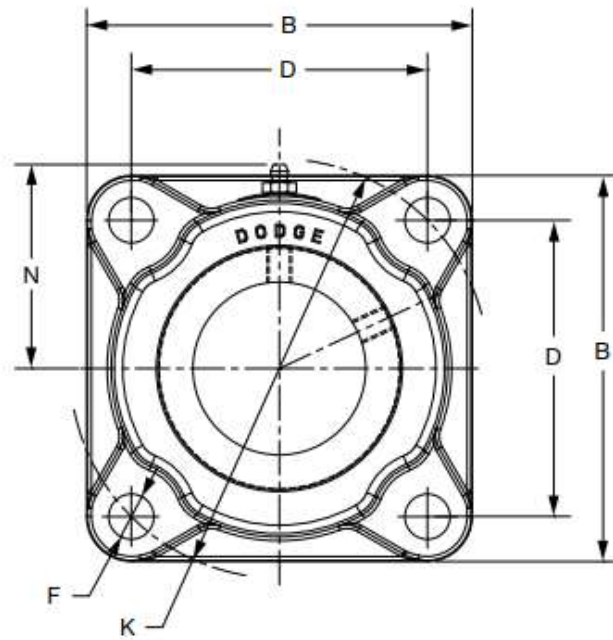


# S-2000 Flange Bearing - Square



Bearing	Shaft Size Inch	TRIDENT Seal				Labyrinth Seal			
		Non-Expansion		Expansion		Non-Expansion		Expansion	
		Part No.	Part Name	Part No.	Part Name	Part No.	Part Name	Part No.	Part Name
22208	1-3/8	<b>070541</b>	F4S-S2-106R	<b>070564</b>	F4S-S2-106RE	<b>070600</b>	F4S-S2-106L	<b>070853</b>	F4S-S2-106LE
	1-7/16	<b>070542</b>	F4S-S2-107R	<b>070565</b>	F4S-S2-107RE	<b>070601</b>	F4S-S2-107L	<b>070854</b>	F4S-S2-107LE
	1-1/2	<b>070543</b>	F4S-S2-108R	<b>070566</b>	F4S-S2-108RE	<b>070602</b>	F4S-S2-108L	<b>070855</b>	F4S-S2-108LE
22209	1-11/16	<b>070545</b>	F4S-S2-111R	<b>070568</b>	F4S-S2-111RE	<b>070604</b>	F4S-S2-111L	<b>070857</b>	F4S-S2-111LE
	1-3/4	<b>070546</b>	F4S-S2-112R	<b>070569</b>	F4S-S2-112RE	<b>070605</b>	F4S-S2-112L	<b>070858</b>	F4S-S2-112LE
22210	1-15/16	<b>070547</b>	F4S-S2-115R	<b>070570</b>	F4S-S2-115RE	<b>070606</b>	F4S-S2-115L	<b>070859</b>	F4S-S2-115LE
	2	<b>070548</b>	F4S-S2-200R	<b>070571</b>	F4S-S2-200RE	<b>070607</b>	F4S-S2-200L	<b>070860</b>	F4S-S2-200LE
22211	2-3/16	<b>070549</b>	F4S-S2-203R	<b>070572</b>	F4S-S2-203RE	<b>070608</b>	F4S-S2-203L	<b>070861</b>	F4S-S2-203LE
22213	2-7/16	<b>070551</b>	F4S-S2-207R	<b>070574</b>	F4S-S2-207RE	<b>070610</b>	F4S-S2-207L	<b>070863</b>	F4S-S2-207LE
22215	2-11/16	<b>070553</b>	F4S-S2-211R	<b>070576</b>	F4S-S2-211RE	<b>070612</b>	F4S-S2-211L	<b>070865</b>	F4S-S2-211LE
	2-15/16	<b>070554</b>	F4S-S2-215R	<b>070577</b>	F4S-S2-215RE	<b>070613</b>	F4S-S2-215L	<b>070866</b>	F4S-S2-215LE
	3	<b>070555</b>	F4S-S2-300R	<b>070578</b>	F4S-S2-300RE	<b>070614</b>	F4S-S2-300L	<b>070867</b>	F4S-S2-300LE
22218	3-7/16	<b>070557</b>	F4S-S2-307R	<b>070580</b>	F4S-S2-307RE	<b>070616</b>	F4S-S2-307L	<b>070869</b>	F4S-S2-307LE
22220	3-15/16	<b>070559</b>	F4S-S2-315R	<b>070582</b>	F4S-S2-315RE	<b>070618</b>	F4S-S2-315L	<b>070871</b>	F4S-S2-315LE

Shaft Size	A	B	C	D	F Bolt Dia	G	H	J	K	L	N	P	X Total Exp.	Y	Z
1-3/8															
1-7/16	2.53	4.75	2.77	3.53	1/2	0.99	0.50	3.81	5.00	2.75	2.48	0.23	3/16	0.020	1.80
1-1/2															
1-11/16	2.67	5.13	2.97	3.89	1/2	1.08	0.50	4.41	5.50	3.19	2.78	0.30	1/4	0.020	2.08
1-3/4															
1-15/16	2.84	5.30	3.16	4.06	1/2	1.23	0.56	4.97	5.75	3.44	2.91	0.31	1/4	0.020	2.30
2															
2-3/16	2.94	5.88	3.25	4.52	5/8	1.20	0.56	5.02	6.38	3.75	3.09	0.31	1/4	0.025	2.60
2-7/16	3.20	6.13	3.52	4.78	5/8	1.14	0.64	5.63	6.75	4.06	3.41	0.31	1/4	0.025	2.95
2-11/16															
2-15/16	3.59	7.19	3.91	5.56	3/4	1.52	0.75	6.50	7.88	4.70	3.84	0.31	1/4	0.025	3.47
3															
3-7/16	4.00	8.25	4.31	6.72	3/4	1.44	0.94	7.48	9.50	5.50	4.33	0.31	1/4	0.025	4.05
3-15/16	4.47	9.25	4.84	7.61	7/8	1.55	1.06	8.22	10.75	6.00	4.70	0.38	5/16	0.025	4.50