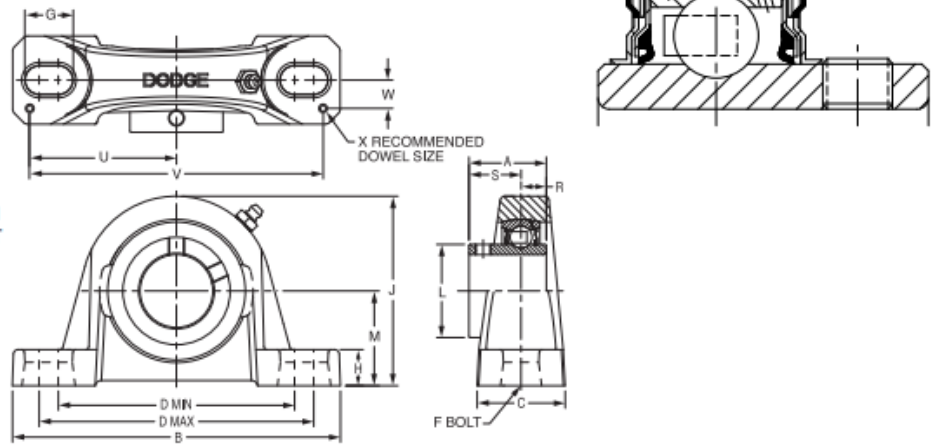


# Setscrew Ball Bearings SC AND SCU NORMAL DUTY PILLOW BLOCKS

**Lube Fitting**  
203 series - 1/4-28 tapered thread  
204 series and larger - 1/8-27 NPT



Series	Shaft Size	Standard		No-Lube/Seal for Life (-NL)	
		Part No.	Description	Part No.	Description
203	1/2	123830	P2B-SC-008	123932	P2B-SC-008-NL
	5/8	123831	P2B-SC-010	126500	P2B-SC-010-NL
	17mm	053170	P2B-SC-17M	@	P2B-SC-17M-NL
203 (SCU)	1/2	123753	P2B-SCU-008	@	P2B-SCU-008-NL
	5/8	123754	P2B-SCU-010	@	P2B-SCU-010-NL
	17mm	125850	P2B-SCU-17M	@	P2B-SCU-17M-NL
204	1/2	123835	P2B-SC-008L	052101	P2B-SC-008L-NL
	5/8	123836	P2B-SC-010L	@	P2B-SC-010L-NL
	3/4	123803	P2B-SC-012	052012	P2B-SC-012-NL
	20mm	125851	P2B-SC-20M	068372	P2B-SC-20M-NL
205	7/8	123804	P2B-SC-014	126502	P2B-SC-014-NL
	15/16	123805	P2B-SC-015	126503	P2B-SC-015-NL
	1	123806	P2B-SC-100	123824	P2B-SC-100-NL
	25mm	125852	P2B-SC-25M	056744	P2B-SC-25M-NL
206	1-1/16	123807	P2B-SC-101	126504	P2B-SC-101-NL
	1-1/8	123808	P2B-SC-102	126505	P2B-SC-102-NL
	1-3/16	123809	P2B-SC-103	123828	P2B-SC-103-NL
	1-1/4	123170	P2B-SC-104S	049852	P2B-SC-104S-NL
	30mm	125853	P2B-SC-30M	074162	P2B-SC-30M-NL
206 (SCU)	1-1/16	123877	P2B-SCU-101	@	P2B-SCU-101-NL
	1-1/8	123878	P2B-SCU-102	@	P2B-SCU-102-NL
	1-3/16	123879	P2B-SCU-103	050837	P2B-SCU-103-NL
	1-1/4	123894	P2B-SCU-104S	073282	P2B-SCU-104S-NL
	30mm	125854	P2B-SCU-30M	@	P2B-SCU-30M-NL
207	1-1/4	123810	P2B-SC-104	123933	P2B-SC-104-NL
	1-5/16	123811	P2B-SC-105	@	P2B-SC-105-NL
	1-3/8	123812	P2B-SC-106	123781	P2B-SC-106-NL
	1-7/16	123813	P2B-SC-107	123792	P2B-SC-107-NL
	35mm	125855	P2B-SC-35M	@	P2B-SC-35M-NL

Series	Shaft Size	Wgt. lbs. kgs	A	B	C	D		F Bolt Dia.	G	H	J	L	M	R	S	U	V	W	X
						Min	Max												
203	1/2	1.1	1.00	5.00	1.20	3.25	4.06	3/8	0.84	0.47	2.14	0.96	1.06	0.36	0.64	2.25	4.50	0.38	0.12
	5/8 17mm	1.0 0.4	25.4	127.0	30.5	82.6	103.1	M10	21.3	11.9	54.4	24.4	27.0	9.1	16.3	57.2	114.3	9.7	3.0
203 SCU	1/2	1.2	1.00	5.00	1.20	3.25	4.06	3/8	0.84	0.59	2.27	0.96	1.19	0.36	0.64	2.25	4.50	0.38	0.12
	5/8 17mm	1.0 0.4	25.4	127.0	30.5	82.6	103.1	M10	21.3	15.0	57.7	24.4	30.2	9.1	16.3	57.2	114.3	9.7	3.0
204	1/2	1.6	1.23	5.25	1.34	3.38	4.19	3/8	0.85	0.53	2.56	1.12	1.31	0.50	0.73	2.25	4.50	0.50	0.12
	5/8 3/4 20mm	1.5 1.4 0.7	31.2	133.4	34.0	85.9	106.4	M10	21.6	13.5	65.0	28.4	33.3	12.7	18.5	57.2	114.3	12.7	3.0
205	7/8	1.8	1.34	5.50	1.40	3.69	4.50	3/8	0.85	0.58	2.77	1.32	1.44	0.56	0.78	2.50	5.00	0.50	0.12
	15/16 1 25mm	1.7 1.6 0.7	34.0	139.7	35.6	93.7	114.3	M10	21.6	14.7	70.4	33.5	36.5	14.2	19.8	63.5	127.0	12.7	3.0
206	1-1/16	2.8	1.52	6.25	1.75	4.25	5.00	1/2	0.94	0.68	3.25	1.57	1.63	0.58	0.94	2.88	5.76	0.56	0.12
	1-1/8 1-3/16 1-1/4 30mm	2.7 2.6 2.5 1.1	38.6	158.8	44.5	108.0	127.0	M12	23.9	17.3	82.6	39.9	41.3	14.7	23.9	73.2	146.3	14.2	3.0
206 SCU	1-1/16	2.9	1.52	6.25	1.75	4.25	5.00	1/2	0.94	0.75	3.31	1.57	1.69	0.58	0.94	2.88	5.76	0.56	0.12
	1-1/8 1-3/16 1-1/4 30mm	2.8 2.7 2.6 1.1	38.6	158.8	44.5	108.0	127.0	M12	23.9	19.1	84.1	39.9	42.9	14.7	23.9	73.2	146.3	14.2	3.0
207	1-1/4	4.5	1.71	6.50	1.75	4.68	5.44	1/2	0.94	0.71	3.75	1.84	1.88	0.67	1.04	2.91	5.82	0.56	0.12
	1-5/16 1-3/8 1-7/16 35mm	4.4 4.3 4.2 1.5	43.4	165.1	44.5	118.9	138.2	M12	23.9	18.0	95.3	46.7	47.6	17.0	26.4	73.9	147.8	14.2	3.0