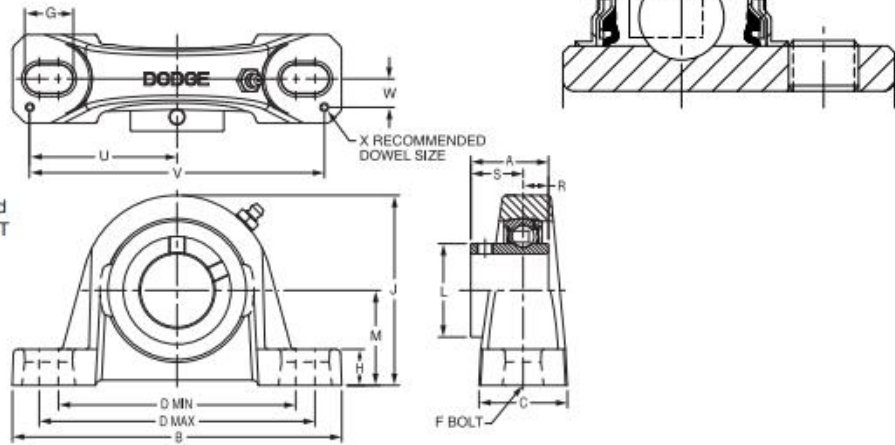


# Setscrew Ball Bearings SC AND SCU NORMAL DUTY PILLOW BLOCKS

**Lube Fitting**  
203 series - 1/4-28 tapered thread  
204 series and larger - 1/8-27 NPT



Series	Shaft Size	Standard		No-Lube/Sealed for Life (-NL)	
		Part No.	Description	Part No.	Description
208	1-1/2	<b>123814</b>	P2B-SC-108	<b>123829</b>	P2B-SC-108-NL
	1-5/8	<b>123815</b>	P2B-SC-110	<b>126510</b>	P2B-SC-110-NL
	40mm	<b>056855</b>	P2B-SC-40M	<b>067679</b>	P2B-SC-40M-NL
209	1-5/8	<b>125169</b>	P2B-SC-110L	<b>073381</b>	P2B-SC-110L-NL
	1-11/16	<b>123816</b>	P2B-SC-111	<b>123784</b>	P2B-SC-111-NL
	1-3/4	<b>123817</b>	P2B-SC-112	<b>123782</b>	P2B-SC-112-NL
	45mm	<b>125857</b>	P2B-SC-45M	<b>067925</b>	P2B-SC-45M-NL
210	1-15/16	<b>123818</b>	P2B-SC-115	<b>123793</b>	P2B-SC-115-NL
	2	<b>123819</b>	P2B-SC-200	<b>123939</b>	P2B-SC-200-NL
	50mm	<b>125858</b>	P2B-SC-50M	<b>058702</b>	P2B-SC-50M-NL
211	2	<b>126815</b>	P2B-SCM-200	<b>126547</b>	P2B-SCM-200-NL
	2-3/16	<b>123820</b>	P2B-SC-203	<b>123783</b>	P2B-SC-203-NL
	2-1/4	<b>123821</b>	P2B-SC-204	<b>126513</b>	P2B-SC-204-NL
	55mm	<b>125859</b>	P2B-SC-55M	@	P2B-SC-55M-NL
212	2-1/4	<b>126817</b>	P2B-SCM-204	@	P2B-SCM-204-NL
	2-7/16	<b>123822</b>	P2B-SC-207	<b>123987</b>	P2B-SC-207-NL
	60mm	<b>125860</b>	P2B-SC-60M	<b>062162</b>	P2B-SC-60M-NL
214	2-1/2	<b>126819</b>	P2B-SCM-208	<b>062178</b>	P2B-SCM-208-NL
	2-11/16	<b>123839</b>	P2B-SC-211	<b>068603</b>	P2B-SC-211-NL
	70mm	<b>125861</b>	P2B-SC-70M	<b>126548</b>	P2B-SC-70M-NL
215	2-15/16	<b>123823</b>	P2B-SC-215	<b>123636</b>	P2B-SC-215-NL
	75mm	<b>125862</b>	P2B-SC-75M	@	P2B-SC-75M-NL
215 (SCU)	2-15/16	<b>123728</b>	P2B-SCU-215	@	P2B-SCU-215-NL
	75mm	<b>052792</b>	P2B-SCU-75M	@	P2B-SCU-75M-NL
218	90mm	<b>052794</b>	P2B-SC-90M	@	P2B-SC-90M-NL

Series	Shaft Size	Wgt. lbs. kgs	A	B	C	D		F Bolt Dia.	G	H	J	L	M	R	S	U	V	W	X
						Min	Max												
208	1-1/2	5.4	1.94	7.25	1.93	5.18	5.88	1/2	0.91	0.93	4.19	2.05	2.13	0.75	1.19	3.26	6.52	0.69	0.12
	1-5/8	5.3																	
	40mm	2.2	49.3	184.2	49.0	131.6	149.4	M12	23.1	23.6	106.4	52.1	54.0	19.1	30.2	82.8	165.6	17.5	3.0
209	1-5/8	6.6	1.94	7.44	2.00	5.50	6.19	1/2	0.90	0.75	4.28	2.22	2.13	0.75	1.19	3.38	6.76	0.69	0.12
	1-11/16	6.4																	
	1-3/4	6.2																	
	45mm	2.2	49.3	189.0	50.8	139.7	157.2	M12	22.9	19.1	108.7	56.4	54.0	19.1	30.2	85.9	171.7	17.5	3.0
210	1-15/16	7.2	1.94	8.12	2.25	6.00	6.68	5/8	1.02	0.75	4.53	2.43	2.25	0.75	1.19	3.69	7.38	0.81	0.12
	2	7.0																	
	50mm	2.6	49.3	206.2	57.2	152.4	169.7	M16	25.9	19.1	115.1	61.7	57.2	19.1	30.2	93.7	187.5	20.6	3.0
211	2	9.0	2.22	8.88	2.30	6.38	7.44	5/8	1.21	0.88	4.96	2.71	2.50	0.87	1.35	3.94	7.88	0.81	0.12
	2-3/16	8.9																	
	2-1/4	8.8																	
	55mm	3.3	56.4	225.6	58.4	162.1	189.0	M16	30.7	22.4	126.0	68.8	63.5	22.1	34.3	100.1	200.2	20.6	3.0
212	2-1/4	10.8	2.31	9.50	2.37	6.88	7.94	5/8	1.21	0.88	5.40	2.97	2.75	0.90	1.41	4.25	8.50	0.88	0.12
	2-7/16	10.2																	
	60mm	4.2	58.7	241.3	60.2	174.8	201.7	M16	30.7	22.4	137.2	75.4	69.9	22.9	35.8	108.0	215.9	22.4	3.0
214	2-1/2	15.5	2.54	10.75	2.69	7.50	8.50	3/4	1.32	0.94	6.09	3.31	3.00	1.06	1.48	4.88	9.76	0.94	0.12
	2-11/16	15.0																	
	70mm	6.9	64.5	273.1	68.3	190.5	215.9	M18	33.5	23.9	154.7	84.1	76.2	26.9	37.6	124.0	247.9	23.9	3.0
215	2-15/16	20.5	2.33	11.75	2.88	8.50	9.50	7/8	1.44	1.00	6.75	3.62	3.50	0.86	1.47	5.48	10.96	1.04	0.12
	75mm	7.9	59.2	298.5	73.2	215.9	241.3	M22	36.6	25.4	171.5	91.9	88.9	21.8	37.3	139.2	278.4	26.4	3.0
215 SCU	2-15/16	20.7	2.33	11.75	2.88	8.50	9.50	7/8	1.44	1.00	6.50	3.62	3.25	0.86	1.47	5.48	10.96	1.04	0.12
218	90mm	13.6	65.0	355.6	85.9	262.1	295.1	M22	40.4	33.3	203.2	110.5	101.6	24.4	40.6	167.6	335.3	30.2	3.0