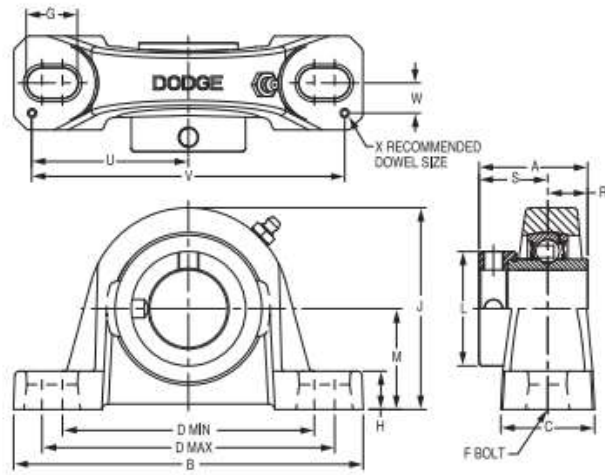
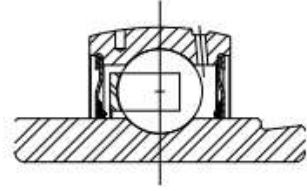


# Eccentric Collar Ball Bearings SXR AND SXRU NORMAL DUTY PILLOW BLOCKS



Series	Shaft Size	Standard		Sealed for Life	
		Part No.	Description	Part No.	Description
203	1/2	<b>131800</b>	P2B-SXR-008	Ⓢ	P2B-SXR-008-NL
	5/8	<b>131801</b>	P2B-SXR-010	Ⓢ	P2B-SXR-010-NL
	17mm	Ⓢ	P2B-SXR-17M	Ⓢ	P2B-SXR-17M-NL
203 (SXRU)	1/2	<b>131341</b>	P2B-SXRU-008	Ⓢ	P2B-SXRU-008-NL
	5/8	<b>131342</b>	P2B-SXRU-010	Ⓢ	P2B-SXRU-010-NL
	17mm	<b>125655</b>	P2B-SXRU-17M	Ⓢ	P2B-SXRU-17M-NL
204	3/4	<b>131802</b>	P2B-SXR-012	Ⓢ	P2B-SXR-012-NL
	20mm	<b>125656</b>	P2B-SXR-20M	Ⓢ	P2B-SXR-20M-NL
205	7/8	<b>131803</b>	P2B-SXR-014	Ⓢ	P2B-SXR-014-NL
	15/16	<b>131804</b>	P2B-SXR-015	Ⓢ	P2B-SXR-015-NL
	1	<b>131805</b>	P2B-SXR-100	Ⓢ	P2B-SXR-100-NL
	25mm	<b>125657</b>	P2B-SXR-25M	Ⓢ	P2B-SXR-25M-NL
206	1-1/16	<b>131806</b>	P2B-SXR-101	Ⓢ	P2B-SXR-101-NL
	1-1/8	<b>131807</b>	P2B-SXR-102	Ⓢ	P2B-SXR-102-NL
	1-3/16	<b>131808</b>	P2B-SXR-103	Ⓢ	P2B-SXR-103-NL
	1-1/4	<b>064230</b>	P2B-SXR-104S	Ⓢ	P2B-SXR-104S-NL
	30mm	Ⓢ	P2B-SXR-30M	Ⓢ	P2B-SXR-30M-NL
206 (SXRU)	1-1/16	<b>131895</b>	P2B-SXRU-101	Ⓢ	P2B-SXRU-101-NL
	1-1/8	<b>131896</b>	P2B-SXRU-102	Ⓢ	P2B-SXRU-102-NL
	1-3/16	<b>131897</b>	P2B-SXRU-103	<b>064882</b>	P2B-SXRU-103-NL
	1-1/4	Ⓢ	P2B-SXRU-104S	Ⓢ	P2B-SXRU-104S-NL
30mm	<b>125658</b>	P2B-SXRU-30M	Ⓢ	P2B-SXRU-30M-NL	
207	1-1/4	<b>131809</b>	P2B-SXR-104	<b>054950</b>	P2B-SXR-104-NL
	1-5/16	<b>131810</b>	P2B-SXR-105	Ⓢ	P2B-SXR-105-NL
	1-3/8	<b>131811</b>	P2B-SXR-106	<b>065616</b>	P2B-SXR-106-NL
	1-7/16	<b>131812</b>	P2B-SXR-107	<b>059667</b>	P2B-SXR-107-NL
35mm	<b>125659</b>	P2B-SXR-35M	Ⓢ	P2B-SXR-35M-NL	

Series	Shaft Size	Weight lbs kg	A	B	C	D		F Bolt Dia.	G	H	J	L	M	R	S	U	V	W	X	
						min.	max.													
203	1/2	1.2	1.47	5.00	1.20	3.25	4.06	3/8	0.84	0.47	2.14	1.13	1.06	0.55	0.92	2.25	4.50	0.38	0.12	
	5/8	1.0																		
	17mm	0.5	37.3	127.0	30.5	82.6	103.1	M10	21.3	11.9	54.4	28.7	27.0	14.0	23.4	57.2	114.3	9.7	3.0	
203 (SXRJ)	1/2	1.2	1.47	5.00	1.20	3.25	4.06	3/8	0.84	0.59	2.27	1.13	1.19	0.55	0.92	2.25	4.50	0.38	0.12	
	5/8 17mm	0.5	37.3	127.0	30.5	82.6	103.1	M10	21.3	15.0	57.7	28.7	30.2	14.0	23.4	57.2	114.3	9.7	3.0	
204	3/4	1.6	1.55	5.25	1.34	3.38	4.19	3/8	0.85	0.53	2.56	1.31	1.31	0.50	1.05	2.25	4.50	0.50	0.12	
	20mm	0.4	39.4	133.4	34.0	85.9	106.4	M10	21.6	13.5	65.0	33.3	33.3	12.7	26.7	57.2	114.3	12.7	3.0	
205	7/8	1.9	1.62	5.50	1.40	3.69	4.50	3/8	0.85	0.58	2.77	1.50	1.44	0.56	1.06	2.50	5.00	0.50	0.12	
	15/16	1.8																		
	1 25mm	0.6	41.1	139.7	35.6	93.7	114.3	M10	21.6	14.7	70.4	38.1	36.5	14.2	26.9	63.5	127.0	12.7	3.0	
206	1-1/16	2.8	1.77	6.25	1.75	4.25	5.00	1/2	0.94	0.68	3.25	1.75	1.63	0.58	1.19	2.88	5.76	0.56	0.12	
	1-1/8	2.7																		
	1-3/16	2.6																		
	1-1/4	2.5																		
	30mm	1.1	45.0	158.8	44.5	108.0	127.0	M12	23.9	17.3	82.6	44.5	41.3	14.7	30.2	73.2	146.3	14.2	3.0	
206 (SXRJ)	1-1/16	2.9	1.77	6.25	1.75	4.25	5.00	1/2	0.94	0.75	3.31	1.75	1.69	0.58	1.19	2.88	5.76	0.56	0.12	
	1-1/8	2.8																		
	1-3/16	2.7																		
	1-1/4	2.6																		
	30mm	1.2	45.0	158.8	44.5	108.0	127.0	M12	23.9	19.1	84.1	44.5	42.9	14.7	30.2	73.2	146.3	14.2	3.0	
207	1-1/4	4.6	1.95	6.50	1.75	4.68	5.44	1/2	0.94	0.71	3.75	2.13	1.88	0.67	1.28	2.91	5.82	0.56	0.12	
	1-5/16	4.5																		
	1-3/8	4.4																		
	1-7/16	4.3																		
	35mm	1.9	49.5	165.1	44.5	118.9	138.2	M12	23.9	18.0	95.3	54.1	47.6	17.0	32.5	73.9	147.8	14.2	3.0	