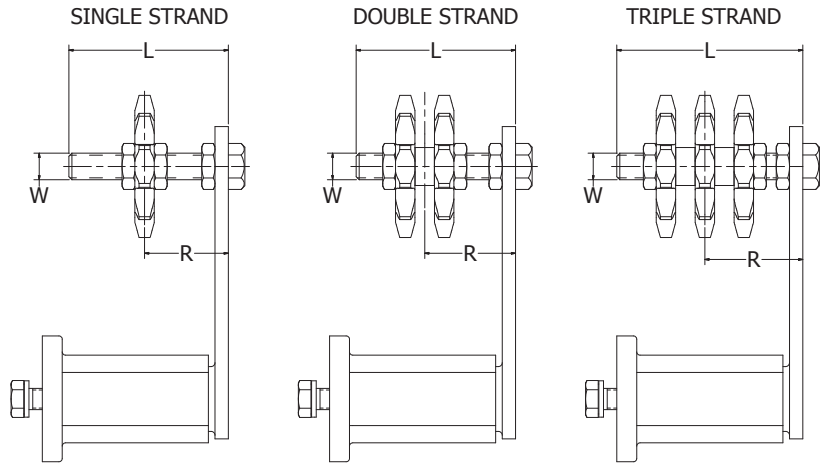


## Tensioner Devices Accessories – Sprockets

### RunRight Idler Sprockets

Ball Bearing Idler Sprockets are available for ANSI #35 through #120 roller chains for single, double and triple strand drives. The bearings are self-lubricating and double sealed for longer life. Available in sets (includes idler bolt & nuts) and as individual components.



#### ANSI Single Strand Sprocket Sets

UPC #	Type	Pitch	ANSI Chain	Dimensions - Millimeters				Tensioner Size
				W	L	R Adjusting Range	# Teeth	
68514484965	<b>25BB20 M8 SET</b>	1/4"	#25	M8	45	18 - 36	20	RT 11-M
68514484966	<b>35BB19 M10 SET</b>	3/8"	#35	M10	55	22 - 43	19	RT 15-M
68514484967	<b>40BB18 M10 SET</b>	1/2"	#40	M10	55	23 - 44	18	RT 15/18-M
68514484968	<b>41BB18 M10 SET</b>	1/2"	#41	M10	55	23 - 44	18	RT 15/18-M
68514484969	<b>50BB17 M12 SET</b>	5/8"	#50	M12	80	27 - 65	17	RT 27-M
68514484970	<b>60BB15 M12 SET</b>	3/4"	#60	M12	80	40 - 80	15	RT 27-M
68514484971	<b>60BB15 M20 SET</b>	3/4"	#60	M20	100	40 - 80	15	RT 38-M
68514484972	<b>80BB12 M20 SET</b>	1"	#80	M20	100	40 - 80	12	RT 38-M
68514484973	<b>100BB11 M20 SET</b>	1-1/4"	#100	M20	100	40 - 80	11	RT 45-M
68514484974	<b>120BB9 M20 SET</b>	1-1/2"	#120	M20	140	40 - 120	9	RT 45-M

#### ANSI Double Strand Sprocket Sets

68514484975	<b>D35BB19 M10 SET</b>	3/8"	#35	M10	55	27 - 39	19	RT 15-M
68514484976	<b>D40BB18 M10 SET</b>	1/2"	#40	M10	55	30 - 37	18	RT 15/18-M
68514484978	<b>D50BB17 M12 SET</b>	5/8"	#50	M12	80	36 - 57	17	RT 27-M
68514484979	<b>D60BB15 M12 SET</b>	3/4"	#60	M12	80	37 - 56	15	RT 27-M
68514484980	<b>D60BB15 M20 SET</b>	3/4"	#60	M20	120	50 - 90	15	RT 38-M
68514484981	<b>D80BB12 M20 SET</b>	1"	#80	M20	120	55 - 84	12	RT 38-M
68514484982	<b>D100BB11 M20 SET</b>	1-1/4"	#100	M20	140	60 - 102	11	RT 45-M
68514484983	<b>D120BB9 M20 SET</b>	1-1/2"	#120	M20	140	65 - 97	9	RT 45-M

#### ANSI Triple Strand Sprocket Sets

68514484984	<b>T35BB19 M10 SET</b>	3/8"	#35	M10	70	33 - 48	19	RT 18-M
68514484985	<b>T40BB18 M10 SET</b>	1/2"	#40	M10	80	41 - 51	18	RT 27-M
68514484987	<b>T50BB17 M12 SET</b>	5/8"	#50	M12	80	43 - 50	17	RT 27-M
68514484988	<b>T60BB15 M12 SET</b>	3/4"	#60	M12	120	56 - 84	15	RT 27-M
68514484989	<b>T60BB15 M20 SET</b>	3/4"	#60	M20	120	59 - 80	15	RT 38-M
68514484990	<b>T80BB12 M20 SET</b>	1"	#80	M20	160	74 - 108	12	RT 45-M
68514484991	<b>T100BB11 M20 SET</b>	1-1/4"	#100	M20	160	78 - 105	11	RT 45/50-M
68514484992	<b>T120BB9 M20 SET</b>	1-1/2"	#120	M20	180	90 - 111	9	RT 45/50-M