



Maudlin

Product Line Catalog



Order online
Download CAD drawings
maudlinproducts.com

24-hour turnaround on all stock items

No minimum orders

Fast & economical turnaround
on custom shims

Tightest tolerances in the industry

Laser cutting

Precision water jet cutting

Wire electrical discharge
machining (wire EDM)

Shearing

Metal stamping

In-house laser etching

Custom packaging



Maudlin was built on three unwavering commitments.

A commitment to craftsmanship, quality, and meeting the most demanding industrial requirements. Other manufacturing companies can take weeks, even months, to deliver on your vital industrial products. Not so with Maudlin. We offer 24-Hour turnaround on all stock items and our experienced personnel will do everything in their power to ensure your rotating-equipment needs are fully met. In an environment where speed and thousandths of an inch matter, you would accept nothing less.

Maudlin, for all of your shim & alignment needs.

Located in a 40,000 square-foot plant, Maudlin offers a complete line of Stainless Steel Slotted Shims; Key Stock; Feeler Gage, Coil Shim Stock in Stainless, Brass and Steel; Plastic Shim Stock; and Stainless Steel Foil Wrap.

We offer a state-of-the-art custom job shop with Laser Cutting, Precision Water Jet Cutting, Wire EDM, and Metal Stamping capabilities.

Compare our precision, pride, experience, and unyielding commitment to customer service excellence and you'll find the choice is obvious.

24-hour turnaround on all stock items

No minimum orders

Fast & economical turnaround on custom shims

Tightest tolerances in the industry

Laser Cutting

Precision Water Jet Cutting

Wire Electrical Discharge Machining (Wire EDM)

Shearing

Metal Stamping

In-House Laser-Etching

Custom Packaging

Table of Contents

Slotted Shims

302/304 SS Slotted Shim Specs	2
302/304 SS Slotted Shim Kits	3-5
302/304 SS Shim Replacement Packs	6-7
316 SS Slotted Shims	8
304 SS Thick Shims	9
Steel Thick Shims	10

Coil Shim Stock

302/304 SS Coil Shim Stock Specs	11
302/304 SS Shim Coil	12
302/304 SS Flat Packs	13
316 SS Coil Shim Stock Specs	14
316 SS Shim Coil	15
316 SS Flat Packs	16
Brass Coil Shim Stock Specs	17
Brass Shim Coil	18
Brass Flat Packs	19
Steel Coil Shim Stock Specs	20
Steel Shim Coil	21
Steel Flat Packs	22
Plastic Shim Stock Specs	23
Plastic Shim Stock Sheets	24
SS Tool Wrap	25
Tool Wrap Specs	26

Keystock / Feeler Gage / B7 Studs

Keystock	27-28
Feeler Gage	29-30
B7 Fluoropolymer Coated Studs	31

Custom Shims

Custom Shims	32
--------------	----

Slotted Shims



Standard 302/304 SS A, B, C & D Shims

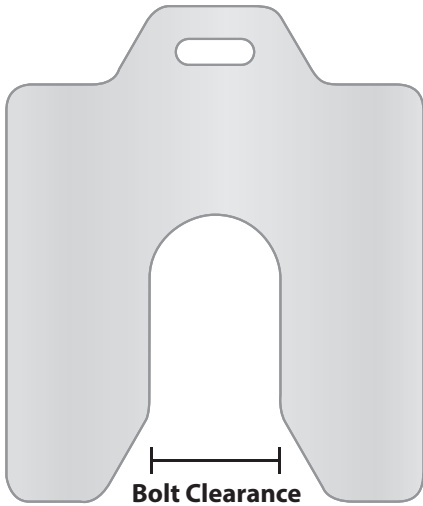
Slotted Leveling Shims are used for shaft alignment of rotating equipment. The power source (motor/ engine) shaft must be aligned with the mating equipment shaft (pump, compressor, gearbox, etc). Without proper alignment, equipment may experience damaging vibration or excessive shaft and bearing wear all resulting in mechanical breakdown.

Size	Slot Depth	Slot Size	Width	Length
A	1-9/32"	5/8"	2"	2-17/32"
B	2-1/8"	7/8"	3"	3-5/8"
C	2-3/4"	1-1/4"	4"	4-3/4"
D	3-5/8"	1-5/8"	5"	6"
E	4"	2"	6"	6"
H	6"	2-3/8"	8"	8"

E & H shims are only available in the following thicknesses: .001, .002, .003, .004, .005, .010, .015, .020, .025, .050, .075, .100 & .125

Thickness	Deluxe Kit	Full Kit	Tool Crib Kit	Maintenance Kit	Service Assort.	Installer Assort.	Replacement Packs
.001"	20ea	20ea	10ea	20ea	10ea	∅	20pc
.002"	20ea	20ea	10ea	20ea	∅	∅	20pc
.003"	20ea	20ea	10ea	20ea	10ea	∅	20pc
.004"	20ea	20ea	10ea	20ea	∅	∅	20pc
.005"	20ea	20ea	10ea	20ea	10ea	∅	20pc
.006"	20ea	∅	∅	∅	∅	∅	20pc
.007"	20ea	∅	∅	∅	∅	∅	20pc
.008"	20ea	∅	∅	∅	∅	∅	20pc
.009"	20ea	∅	∅	∅	∅	∅	20pc
.010"	20ea	20ea	10ea	20ea	10ea	∅	20pc
.012"	20ea	∅	∅	∅	∅	∅	20pc
.015"	20ea	20ea	10ea	10ea	10ea	∅	20pc
.020"	20ea	20ea	10ea	10ea	10ea	∅	20pc
.025"	20ea	20ea	10ea	10ea	10ea	∅	20pc
.031"	20ea	∅	∅	∅	∅	∅	20pc
.050"	8ea	20ea	10ea	4ea	10ea	12ea	10pc
.062"	8ea	∅	∅	∅	∅	∅	10pc
.075"	8ea	20ea	10ea	4ea	∅	12ea	10pc
.100"	8ea	20ea	10ea	4ea	∅	12ea	5pc
.125"	8ea	20ea	10ea	4ea	∅	12ea	5pc
Total PC.	340 PC.	260 PC	130 PC	166 PC.	80 PC.	48 PC.	

302/304 Slotted Shim Kits



Slot tolerances are designed to allow ample clearance for use with the following bolts.

A	1/2" - 9/16"
B	5/8" - 3/4"
C	7/8" - 1-1/8"
D	1 - 1/4" - 1 - 1/2"
E	1 - 5/8" - 1 - 7/8"
H	2" - 2 - 1/4"

Maudlin Products Slotted Shim Advantages

Maudlin Products Slotted Shim slotted shims have the tightest tolerances in the industry. Shims .001" through .031" are as tight as the stainless steel industry can supply us.

Sizes .050" through .125" are made from re-rolled material which reduces thickness tolerances to +/- .002". Our shims are not only the tightest in the industry they are also the flattest. When shims are run through the stamping process, they tend to warp from the natural stress in the material. This can create what is known as soft foot problems. Soft foot problems happen when the shims are flattened out from the bolt of the equipment being tightened.

Thickness Tolerances	
.001"	+/- .00008
.002"	+/- .0001
.003"	+/- .00015
.004"	+/- .0002
.005"	+/- .00025
.010	+/- .0005
.015"	+/- .0005
.020"	+/- .0005
.025"	+/- .00075
.050"	+/- .001
.075"	+/- .002
.100"	+/- .002
.125"	+/- .0025

302 / 304 SS Specs		
Thickness	.001" - .025"	.031" - 1"
Type	302 Stainless	304 Stainless
Temper	Full Hard	Annealed
Carbon	.15 Max	.8 Max
Manganese	2.00 Max	2.0 Max
Phosphorus	.045 Max	.04 Max
Sulphur	.03 Max	.03 Max
Silicone	1.0 Max	1.0 Max
Nickel	8.0 - 10.0	8.0 - 11.0
Chromium	18.0 - 20.0	18.0 - 20.0
Rockwell	RC 35 - 45	RB 80 - 90
Applicable	AMS 5906	AMS 5513
Specs	ASTM - A - 666	ASTM - A - 666

“A” Kits Include

- Green Metal Box
- Shim Removal Tool
- Dividers
- Shim Lock



Note: Exceptions to this include the service assort. and the installer assort. They are packaged in the standard replacement pack boxes and bound together. They do not include any of the above items.

P/N	Description	Net Weight (lbs)
MSA2-DK	2"x2" Deluxe Kit 340 PC.	10.5
MSA2-FK	2"x2" Full Kit 260 PC	13.0
MSA2-CK	2"x2" Tool Crib Kit 130 PC.	7.0
MSA2-MK	2"x2" Maintenance Kit 166 PC.	5.0
MSA2-SK	2"x2" Service Kit 80 PC.	4.0
*MSA2-SA	2"x2" Service Assort. 80 PC.	2.0
MSA2-IK	2"x2" Installer Kit 48 PC.	7.0
*MSA2-IA	2"x2" Installer Assort. 48 PC	5.0

“B” Kits Include

- Green Metal Box
- Shim Removal Tool
- Dividers
- Shim Lock



Note: Exceptions to this include the service assort. and the installer assort. They are packaged in the standard replacement pack boxes and bound together. They do not include any of the above items.

P/N	Description	Net Weight (lbs)
MSB3-DK	3"x3" Deluxe Kit 340 PC.	20.0
MSB3-FK	3"x3" Full Kit 260 PC	25.0
MSB3-CK	3"x3" Tool Crib Kit 130 PC.	14.0
MSB3-MK	3"x3" Maintenance Kit 166 PC.	9.0
MSB3-SK	3"x3" Service Kit 80 PC.	6.0
*MSB3-SA	3"x3" Service Assort. 80 PC.	3.5
MSB3-IK	3"x3" Installer Kit 48 PC.	12.0
*MSB3-IA	3"x3" Installer Assort. 48 PC	10.0

“C” Kits Include

- Green Metal Box
- Shim Removal Tool
- Dividers
- Shim Lock



Note: Exceptions to this include the service assort. and the installer assort. They are packaged in the standard replacement pack boxes and bound together. They do not include any of the above items.

P/N	Description	Net Weight (lbs)
MSC4-DK	4"x4" Deluxe Kit 340 PC.	32.0
MSC4-FK	4"x4" Full Kit 260 PC	43.0
MSC4-CK	4"x4" Tool Crib Kit 130 PC.	23.0
MSC4-MK	4"x4" Maintenance Kit 166 PC.	13.0
MSC4-SK	4"x4" Service Kit 80 PC.	10.0
*MSC4-SA	4"x4" Service Assort. 80 PC.	6.0
MSC4-IK	4"x4" Installer Kit 48 PC.	19.0
*MSC4-IA	4"x4" Installer Assort. 48 PC	17.0

The above components are available for individual purchase. Call for pricing and availability.

302/304 Slotted Shim Kits

“D” Kits Include

- Green Metal Box
- Shim Removal Tool
- Dividers
- Shim Lock



Note: Exceptions to this include the service assort. and the installer assort. They are packaged in the standard replacement pack boxes and bound together. They do not include any of the above items.

The above components are available for individual purchase.

Call for pricing and availability.

“E” Kits Include

- Green Metal Box
- Dividers
- Shim Lock
- Only Available as a Full Kit



6" x 6" shims are now available for purchase in replacement packs. They are available in the following thicknesses only:

.001, .002, .003, .004, .005, .010, .015, .020, .025, .050, .075, .100, .125

* The above components are available for individual purchase.

Call for pricing and availability.

“H” Kits Include

- Green Metal Box
- Dividers
- Shim Lock
- Only available as a Full Kit.



8" x 8" Shims are now available for purchase in replacement packs. They are available in the following thicknesses only:

.001, .002, .003, .004, .005, .010, .015, .020, .025, .050, .075, .100, .125

* The above components are available for individual purchase.

Call for pricing and availability.

P/N	Description	Net WT (lbs)
MSD5-DK	5"x5" Deluxe Kit 340 PC.	48.0
MSD5-FK	5"x5" Full Kit 260 PC	68.0
MSD5-CK	5"x5" Tool Crib Kit 130 PC.	33.0
MSD5-MK	5"x5" Maintenance Kit 166 PC.	21.0
MSD5-SK	5"x5" Service Kit 80 PC.	15.0
*MSD5-SA	5"x5" Service Assort. 80 PC.	9.0
MSD5-IK	5"x5" Installer Kit 48 PC.	29.0
*MSD5-IA	5"x5" Installer Assort. 48 PC	26.0

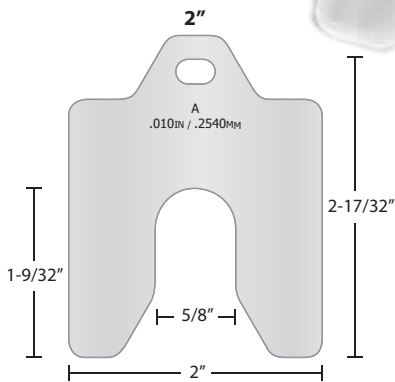
P/N	Description	Net WT(lbs)
E6-FK	6"x6" Full Kit 260 PC.	82.0
MSE001	MS E 6"x6" .001 20 PC.	0.4
MSE002	MS E 6"x6" .002 20 PC.	0.6
MSE003	MS E 6"x6" .003 20 PC.	1.0
MSE004	MS E 6"x6" .004 20 PC.	1.0
MSE005	MS E 6"x6" .005 20 PC.	1.2
MSE010	MS E 6"x6" .010 20 PC.	2.0
MSE015	MS E 6"x6" .015 20 PC.	3.0
MSE020	MS E 6"x6" .020 20 PC.	3.0
MSE025	MS E 6"x6" .025 20 PC.	4.0
MSE050	MS E 6"x6" .050 10 PC.	4.0
MSE075	MS E 6"x6" .075 20 PC.	7.5
MSE100	MS E 6"x6" .100 5 PC.	5.0
MSE125	MS E 6"x6" .125 5 PC.	6.25

Full Kit includes 20 PC. of each thickness

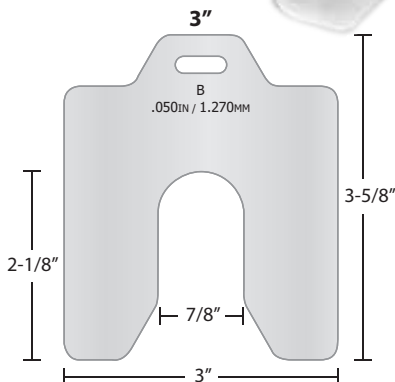
P/N	Description	Net WT (lbs)
H8-FK	8"x8" Full Kit 260 PC.	130.0
MSH001	MS H 8"x8" .001 20 PC.	0.4
MSH002	MS H 8"x8" .002 20 PC.	0.8
MSH003	MS H 8"x8" .003 20 PC.	1.0
MSH004	MS H 8"x8" .004 20 PC.	1.4
MSH005	MS H 8"x8" .005 20 PC.	1.8
MSH010	MS H 8"x8" .010 20 PC.	3.6
MSH015	MS H 8"x8" .015 20 PC.	4.0
MSH020	MS H 8"x8" .020 20 PC.	5.0
MSH025	MS H 8"x8" .025 20 PC.	9.0
MSH050	MS H 8"x8" .050 10 PC.	9.0
MSH075	MS H 8"x8" .075 10 PC.	14.0
MSH100	MS H 8"x8" .100 5 PC.	10.0
MSH125	MS H 8"x8" .125 5 PC.	12.5

Full Kit includes 20 PC. of each thickness

302/304 SS "A" & "B" Replacement Packs

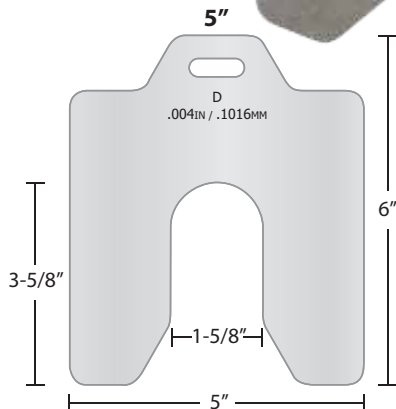
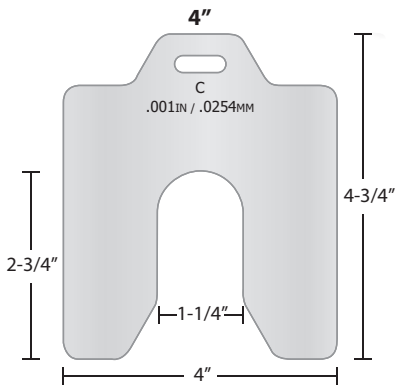


P/N	Description	Net Weight (lbs)
MSA001-20	MS A 2"x2" .001 20 PC.	0.1
MSA002-20	MS A 2"x2" .002 20 PC.	0.1
MSA003-20	MS A 2"x2" .003 20 PC.	0.1
MSA004-20	MS A 2"x2" .004 20 PC.	0.1
MSA005-20	MS A 2"x2" .005 20 PC.	0.1
MSA006-20	MS A 2"x2" .006 20 PC.	0.2
MSA007-20	MS A 2"x2" .007 20 PC.	0.2
MSA008-20	MS A 2"x2" .008 20 PC.	0.2
MSA009-20	MS A 2"x2" .009 20 PC.	0.2
MSA010-20	MS A 2"x2" .010 20 PC.	0.2
MSA012-20	MS A 2"x2" .012 20 PC.	0.3
MSA015-20	MS A 2"x2" .015 20 PC.	0.3
MSA020-20	MS A 2"x2" .020 20 PC.	0.4
MSA025-20	MS A 2"x2" .025 20 PC.	0.5
MSA031-20	MS A 2"x2" .031 20 PC.	0.7
MSA050-10	MS A 2"x2" .050 10 PC.	0.5
MSA062-10	MS A 2"x2" .062 10 PC.	0.5
MSA075-10	MS A 2"x2" .075 10 PC.	0.8
MSA100-5	MS A 2"x2" .100 5 PC.	0.5
MSA125-5	MS A 2"x2" .125 5 PC.	0.6



P/N	Description	Net Weight (lbs)
MSB001-20	MS B 3"x3" .001 20 PC.	0.1
MSB002-20	MS B 3"x3" .002 20 PC.	0.1
MSB003-20	MS B 3"x3" .003 20 PC.	0.2
MSB004-20	MS B 3"x3" .004 20 PC.	0.2
MSB005-20	MS B 3"x3" .005 20 PC.	0.3
MSB006-20	MS B 3"x3" .006 20 PC.	0.3
MSB007-20	MS B 3"x3" .007 20 PC.	0.4
MSB008-20	MS B 3"x3" .008 20 PC.	0.5
MSB009-20	MS B 3"x3" .009 20 PC.	0.6
MSB010-20	MS B 3"x3" .010 20 PC.	0.7
MSB012-20	MS B 3"x3" .012 20 PC.	0.8
MSB015-20	MS B 3"x3" .015 20 PC.	0.9
MSB020-20	MS B 3"x3" .020 20 PC.	1.0
MSB025-20	MS B 3"x3" .025 20 PC.	1.2
MSB031-20	MS B 3"x3" .031 20 PC.	1.5
MSB050-10	MS B 3"x3" .050 10 PC.	1.2
MSB062-10	MS B 3"x3" .062 10 PC.	1.5
MSB075-10	MS B 3"x3" .075 10 PC.	1.8
MSB100-5	MS B 3"x3" .100 5 PC.	1.2
MSB125-5	MS B 3"x3" .125 5 PC.	1.5

302/304 SS "C" & "D" Replacement Packs



P/N	Description	Net Weight (lbs)
MSC001-20	MS C 4"x4" .001 20 PC.	0.1
MSC002-20	MS C 4"x4" .002 20 PC.	0.2
MSC003-20	MS C 4"x4" .003 20 PC.	0.3
MSC004-20	MS C 4"x4" .004 20 PC.	0.4
MSC005-20	MS C 4"x4" .005 20 PC.	0.4
MSC006-20	MS C 4"x4" .006 20 PC.	0.6
MSC007-20	MS C 4"x4" .007 20 PC.	0.7
MSC008-20	MS C 4"x4" .008 20 PC.	0.7
MSC009-20	MS C 4"x4" .009 20 PC.	0.8
MSC010-20	MS C 4"x4" .010 20 PC.	0.8
MSC012-20	MS C 4"x4" .012 20 PC.	1.0
MSC015-20	MS C 4"x4" .015 20 PC.	1.3
MSC020-20	MS C 4"x4" .020 20 PC.	1.7
MSC025-20	MS C 4"x4" .025 20 PC.	2.1
MSC031-20	MS C 4"x4" .031 20 PC.	2.6
MSC050-10	MS C 4"x4" .050 10 PC.	2.1
MSC062-10	MS C 4"x4" .062 10 PC.	2.6
MSC075-10	MS C 4"x4" .075 10 PC.	3.1
MSC100-5	MS C 4"x4" .100 5 PC.	2.1
MSC125-5	MS C 4"x4" .125 5 PC.	2.5

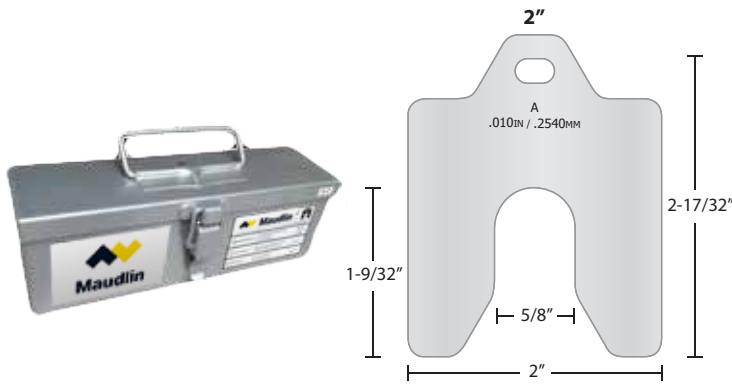
P/N	Description	Net Weight (lbs)
MSD001-20	MS D 5"x5" .001 20 PC.	0.2
MSD002-20	MS D 5"x5" .002 20 PC.	0.3
MSD003-20	MS D 5"x5" .003 20 PC.	0.4
MSD004-20	MS D 5"x5" .004 20 PC.	0.5
MSD005-20	MS D 5"x5" .005 20 PC.	0.7
MSD006-20	MS D 5"x5" .006 20 PC.	0.8
MSD007-20	MS D 5"x5" .007 20 PC.	0.9
MSD008-20	MS D 5"x5" .008 20 PC.	1.0
MSD009-20	MS D 5"x5" .009 20 PC.	1.1
MSD010-20	MS D 5"x5" .010 20 PC.	1.3
MSD012-20	MS D 5"x5" .012 20 PC.	1.7
MSD015-20	MS D 5"x5" .015 20 PC.	2.0
MSD020-20	MS D 5"x5" .020 20 PC.	3.0
MSD025-20	MS D 5"x5" .025 20 PC.	3.2
MSD031-20	MS D 5"x5" .031 20 PC.	4.0
MSD050-10	MS D 5"x5" .050 10 PC.	3.3
MSD062-10	MS D 5"x5" .062 10 PC.	4.0
MSD075-10	MS D 5"x5" .075 10 PC.	4.7
MSD100-5	MS D 5"x5" .100 5 PC.	3.1
MSD125-5	MS D 5"x5" .125 5 PC.	3.8



316 SS Slotted Shims



The “A”, “B”, and “C” 316 SS service kits come in a sturdy sliver box including a shim lock, a removal tool, and dividers. The 316 SS slotted shims are available in the service kit or replacement packs only.

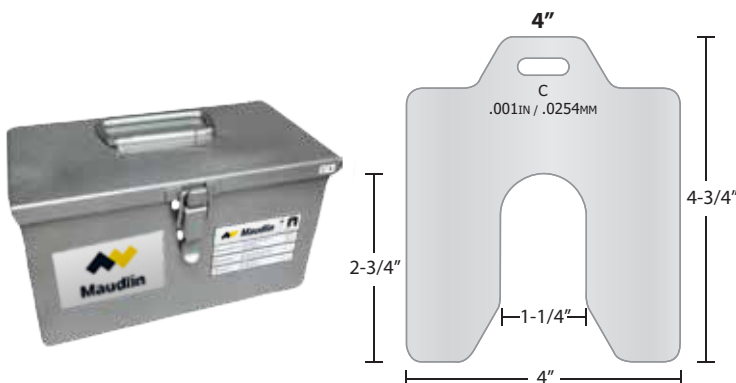


P/N	Description	Net WT (lbs)
316-MSA001-20	316 MS A 2"x2" .001 20 PC.	0.1
316-MSA003-20	316 MS A 2"x2" .001 20 PC.	0.1
316-MSA005-20	316 MS A 2"x2" .005 20 PC.	0.1
316-MSA010-20	316 MS A 2"x2" .010 20 PC.	0.2
316-MSA015-20	316 MS A 2"x2" .015 20 PC.	0.3
316-MSA020-20	316 MS A 2"x2" .020 20 PC.	0.4
316-MSA025-20	316 MS A 2"x2" .025 20 PC.	0.5
316-MSA050-10	316 MS A 2"x2" .050 10 PC.	0.5
316-MSA125-5	316 MS A 2"x2" .125 5 PC.	1.2
316-MSA2-SK	316 SS Service Kit 90 PC.	2.0

P/N	Description	Net WT (lbs)
316-MSB001-20	316 MS B 3"x3" .001 20 PC.	0.1
316-MSB003-20	316 MS B 3"x3" .003 20 PC.	0.2
316-MSB005-20	316 MS B 3"x3" .005 20 PC.	0.3
316-MSB010-20	316 MS B 3"x3" .010 20 PC.	0.7
316-MSB015-20	316 MS B 3"x3" .015 20 PC.	0.9
316-MSB020-20	316 MS B 3"x3" .020 20 PC.	1.0
316-MSB025-20	316 MS B 3"x3" .025 20 PC.	1.2
316-MSB050-10	316 MS B 3"x3" .050 10 PC.	1.2
316-MSB125-5	316 MS B 3"x3" .125 5 PC.	3.0
316-MSB3-SK	316 SS Service Kit 90 PC.	3.0

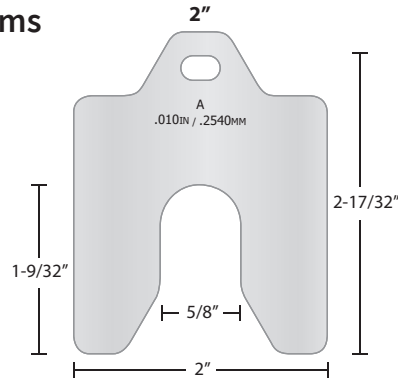


P/N	Description	Net WT (lbs)
316-MSC001-20	316 MS C 4"x4" .001 20 PC.	0.2
316-MSC003-20	316 MS C 4"x4" .003 20 PC.	0.3
316-MSC005-20	316 MS C 4"x4" .005 20 PC.	0.4
316-MSC010-20	316 MS C 4"x4" .010 20 PC.	0.8
316-MSC015-20	316 MS C 4"x4" .015 20 PC.	1.3
316-MSC020-20	316 MS C 4"x4" .020 20 PC.	1.7
316-MSC025-20	316 MS C 4"x4" .025 20 PC.	2.1
316-MSC050-10	316 MS C 4"x4" .050 10 PC.	2.1
316-MSC125-5	316 MS C 4"x4" .125 5 PC.	5.0
316-MSC4-SK	316 SS Service Kit 90 PC.	6.0



304 SS Thick Slotted Shims

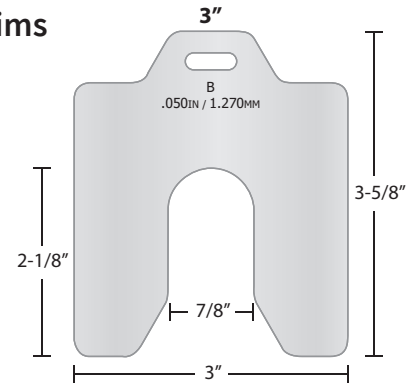
“A” 2" x 2" Thick Shims



P/N	Description	Net Weight (lbs)
MSA-187-SS	MS A 2" x 2" 3/16"	0.2
MSA-250-SS	MS A 2" x 2" 1/4"	0.3
MSA-375-SS	MS A 2" x 2" 3/8"	0.4
MSA-500-SS	MS A 2" x 2" 1/2"	0.5
MSA-625-SS	MS A 2" x 2" 5/8"	0.6
MSA-750-SS	MS A 2" x 2" 3/4"	0.8
MSA-100-SS	MS A 2" x 2" 1"	1.0

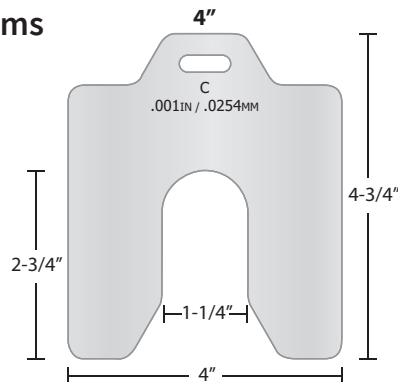
P/N	Description	Net Weight (lbs)
MSB-187-SS	MS B 3" x 3" 3/16"	0.4
MSB-250-SS	MS B 3" x 3" 1/4"	0.6
MSB-375-SS	MS B 3" x 3" 3/8"	0.8
MSB-500-SS	MS B 3" x 3" 1/2"	1.0
MSB-625-SS	MS B 3" x 3" 5/8"	1.4
MSB-750-SS	MS B 3" x 3" 3/4"	1.7
MSB-100-SS	MS B 3" x 3" 1"	2.2

“B” 3" x 3" Thick Shims



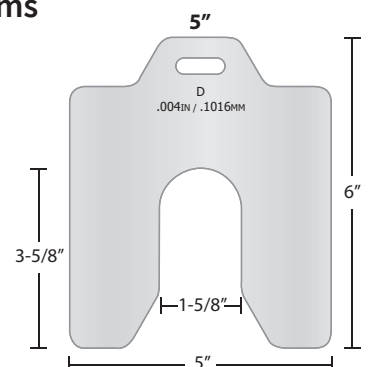
P/N	Description	Net Weight (lbs)
MSC-187-SS	MS C 4" x 4" 3/16"	0.7
MSC-250-SS	MS C 4" x 4" 1/4"	1.0
MSC-375-SS	MS C 4" x 4" 3/8"	1.5
MSC-500-SS	MS C 4" x 4" 1/2"	2.0
MSC-625-SS	MS C 4" x 4" 5/8"	2.4
MSC-750-SS	MS C 4" x 4" 3/4"	2.9
MSC-100-SS	MS C 4" x 4" 1"	3.8

“C” 4" x 4" Thick Shims



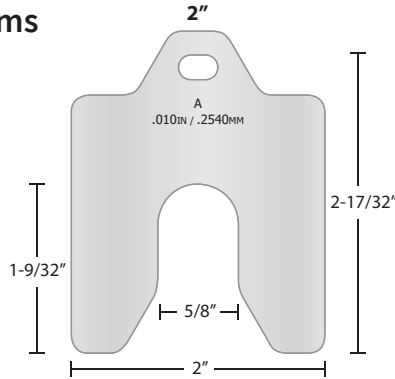
P/N	Description	Net Weight (lbs)
MSD-187-SS	MS D 5" x 5" 3/16"	1.1
MSD-250-SS	MS D 5" x 5" 1/4"	1.5
MSD-375-SS	MS D 5" x 5" 3/8"	2.3
MSD-500-SS	MS D 5" x 5" 1/2"	3.0
MSD-625-SS	MS D 5" x 5" 5/8"	3.8
MSD-750-SS	MS D 5" x 5" 3/4"	4.4
MSD-100-SS	MS D 5" x 5" 1"	6.0

“D” 5" x 5" Thick Shims



A36 Thick Slotted Shims

“A” 2" x 2" Thick Shims

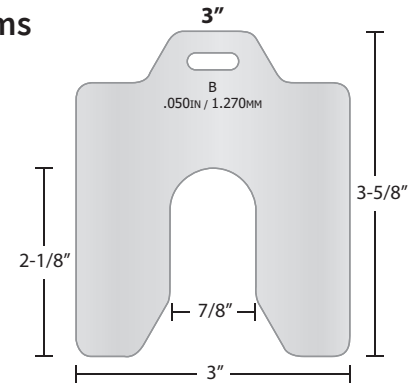


Manufactured per Request

P/N	Description	Net Weight (lbs)
MSA-187-S	MS A 2" x 2" 3/16"	0.2
MSA-250-S	MS A 2" x 2" 1/4"	0.3
MSA-375-S	MS A 2" x 2" 3/8"	0.4
MSA-500-S	MS A 2" x 2" 1/2"	0.5
MSA-625-S	MS A 2" x 2" 5/8"	0.6
MSA-750-S	MS A 2" x 2" 3/4"	0.8
MSA-100-S	MS A 2" x 2" 1"	1.0

P/N	Description	Net Weight (lbs)
MSB-187-S	MS B 3" x 3" 3/16"	0.4
MSB-250-S	MS B 3" x 3" 1/4"	0.6
MSB-375-S	MS B 3" x 3" 3/8"	0.8
MSB-500-S	MS B 3" x 3" 1/2"	1.0
MSB-625-S	MS B 3" x 3" 5/8"	1.4
MSB-750-S	MS B 3" x 3" 3/4"	1.7
MSB-100-S	MS B 3" x 3" 1"	2.2

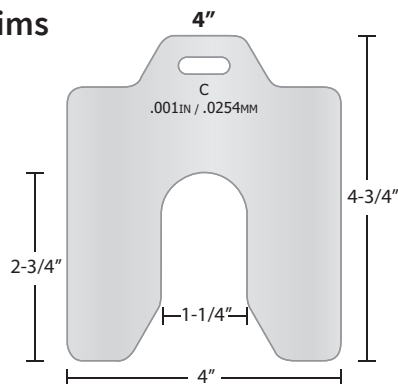
“B” 3" x 3" Thick Shims



Manufactured per Request

P/N	Description	Net Weight (lbs)
MSC-187-S	MS C 4" x 4" 3/16"	0.7
MSC-250-S	MS C 4" x 4" 1/4"	1.0
MSC-375-S	MS C 4" x 4" 3/8"	1.5
MSC-500-S	MS C 4" x 4" 1/2"	2.0
MSC-625-S	MS C 4" x 4" 5/8"	2.4
MSC-750-S	MS C 4" x 4" 3/4"	2.9
MSC-100-S	MS C 4" x 4" 1"	3.8

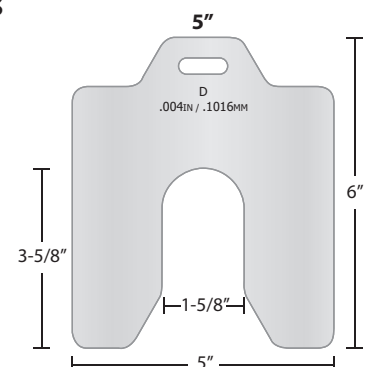
“C” 4" x 4" Thick Shims



Manufactured per Request

P/N	Description	Net Weight (lbs)
MSD-187-S	MS D 5" x 5" 3/16"	1.1
MSD-250-S	MS D 5" x 5" 1/4"	1.5
MSD-375-S	MS D 5" x 5" 3/8"	2.3
MSD-500-S	MS D 5" x 5" 1/2"	3.0
MSD-625-S	MS D 5" x 5" 5/8"	3.8
MSD-750-S	MS D 5" x 5" 3/4"	4.4
MSD-100-S	MS D 5" x 5" 1"	6.0

“D” 5" x 5" Thick Shims



Manufactured per Request

302/304 SS Coil Shim Stock Specs

Material Specs

Carbon	.15 Max
Manganese	2.00 Max
Sulphur	.03 Max
Nickel	8.00 - 10.00
Silicon	.75 Max
Phosphorus	.045 Max
Chromium	17.00 - 19.00
Nitrogen	.10 Max
Temper	Full Hard
Rockwell	40-45 C Scale
Tensile	185,000 P.S.I. Min
Yield Strength	140,000 P.S.I. Min
Elongation	4% In 2"
Applicable Specs	AMS 5906B & ASTM-A-666-03



Thickness	6" Wide	12" Wide	24" Wide
.001"	✓	✓	
.002"	✓	✓	✓
.003"	✓	✓	✓
.004"	✓	✓	✓
.005"	✓	✓	✓
.006"	✓	✓	
.007"	✓	✓	✓
.008"	✓	✓	
.009"	✓	✓	
.010"	✓	✓	✓
.012"	✓	✓	
.015"	✓	✓	✓
.020"	✓	✓	✓
.025"	✓	✓	✓
.031"	✓	✓	✓

302/304 Shim Coil is packaged individually and color coded with red labels describing thickness, width, length, and material. Heat numbers included on all boxes for easy traceability.

All stainless steel coil is now marked for ease of identity and traceability. Printed directly on the shim coil: Heat number, Thickness, Width, and Type of Material.

Thickness	Tolerance
.001"	+/- .00008
.002"	+/- .0001
.003"	+/- .00015
.004"	+/- .0002
.005"	+/- .00025
.006" - .020"	+/- .0005
.025" - .035"	+/- .0008

6" x 12" Wide 302/304 SS Coil Shim

6" x 50" Coil		
P/N	Description	WT (lbs)
001-6-50	.001" x 6" x 50"	0.2
002-6-50	.002" x 6" x 50"	0.3
003-6-50	.003" x 6" x 50"	0.3
004-6-50	.004" x 6" x 50"	0.4
005-6-50	.005" x 6" x 50"	0.6
006-6-50	.006" x 6" x 50"	0.6
007-6-50	.007" x 6" x 50"	0.7
008-6-50	.008" x 6" x 50"	0.8
009-6-50	.009" x 6" x 50"	0.9
010-6-50	.010" x 6" x 50"	1.0
012-6-50	.012" x 6" x 50"	1.2
015-6-50	.015" x 6" x 50"	1.5
020-6-50	.020" x 6" x 50"	2.2
025-6-50	.025" x 6" x 50"	2.7
031-6-50	.031" x 6" x 50"	3.2

6" x 100" Coil		
P/N	Description	WT (lbs)
001-6-100	.001" x 6" x 100"	0.2
002-6-100	.002" x 6" x 100"	0.3
003-6-100	.003" x 6" x 100"	0.3
004-6-100	.004" x 6" x 100"	0.4
005-6-100	.005" x 6" x 100"	0.6
006-6-100	.006" x 6" x 100"	0.6
007-6-100	.007" x 6" x 100"	0.7
008-6-100	.008" x 6" x 100"	0.8
009-6-100	.009" x 6" x 100"	0.9
010-6-100	.010" x 6" x 100"	1.0
012-6-100	.012" x 6" x 100"	1.2
015-6-100	.015" x 6" x 100"	1.5
020-6-100	.020" x 6" x 100"	2.2
025-6-100	.025" x 6" x 100"	2.7
031-6-100	.031" x 6" x 100"	3.2



12" x 50" Coil		
P/N	Description	WT (lbs)
001-12-50	.001" x 12" x 50"	0.6
002-12-50	.002" x 12" x 50"	0.6
003-12-50	.003" x 12" x 50"	0.8
004-12-50	.004" x 12" x 50"	1.0
005-12-50	.005" x 12" x 50"	1.1
006-12-50	.006" x 12" x 50"	1.3
007-12-50	.007" x 12" x 50"	1.5
008-12-50	.008" x 12" x 50"	1.6
009-12-50	.009" x 12" x 50"	1.1
010-12-50	.010" x 12" x 50"	2.1
012-12-50	.012" x 12" x 50"	2.5
015-12-50	.015" x 12" x 50"	3.0
020-12-50	.020" x 12" x 50"	4.5
025-12-50	.025" x 12" x 50"	5.3
031-12-50	.031" x 12" x 50"	6.0

12" x 100" Coil		
P/N	Description	WT (lbs)
001-12-100	.001" x 12" x 100"	1.2
002-12-100	.002" x 12" x 100"	1.2
003-12-100	.003" x 12" x 100"	1.6
004-12-100	.004" x 12" x 100"	1.9
005-12-100	.005" x 12" x 100"	2.2
006-12-100	.006" x 12" x 100"	2.5
007-12-100	.007" x 12" x 100"	2.9
008-12-100	.008" x 12" x 100"	3.2
009-12-100	.009" x 12" x 100"	3.8
010-12-100	.010" x 12" x 100"	4.3
012-12-100	.012" x 12" x 100"	5.0
015-12-100	.015" x 12" x 100"	6.0
020-12-100	.020" x 12" x 100"	8.9
025-12-100	.025" x 12" x 100"	10.6
031-12-100	.031" x 12" x 100"	11.0

24" Wide 302/304 SS Coil Shim & 302/304 SS Flat Packs

24" x 50" Coil		
P/N	Description	WT (lbs)
002-24-50	.002" x 24" x 50"	1.2
003-24-50	.003" x 24" x 50"	1.6
004-24-50	.004" x 24" x 50"	1.9
005-24-50	.005" x 24" x 50"	2.2
007-24-50	.007" x 24" x 50"	2.9
010-24-50	.010" x 24" x 50"	4.3
015-24-50	.015" x 24" x 50"	6.0
020-24-50	.020" x 24" x 50"	8.9
025-24-50	.025" x 24" x 50"	10.6
031-24-50	.031" x 24" x 50"	10.6

24" x 100" Coil		
P/N	Description	WT (lbs)
002-24-100	.002" x 24" x 100"	2.5
003-24-100	.003" x 24" x 100"	3.1
004-24-100	.004" x 24" x 100"	3.8
005-24-100	.005" x 24" x 100"	4.4
007-24-100	.007" x 24" x 100"	5.5
010-24-100	.010" x 24" x 100"	8.6
015-24-100	.015" x 24" x 100"	12.0
020-24-100	.020" x 24" x 100"	17.8
025-24-100	.025" x 24" x 100"	21.2
031-24-100	.031" x 24" x 100"	21.2



Flat Packs		
P/N	Description	WT (lbs)
MFSS-08	.008" x 6" x 25" 2 PC. Flat Pack	1.1
MFSS-10	.010" x 6" x 25" 2 PC. Flat Pack	1.3
MFSS-12	.012" x 6" x 25" 2 PC. Flat Pack	1.6
MFSS-15	.015" x 6" x 25" 2 PC. Flat Pack	1.7
MFSS-20	.020" x 6" x 25" 2 PC. Flat Pack	2.2
MFSS-25	.025" x 6" x 25" 2 PC. Flat Pack	2.7
MFSS-31	.031" x 6" x 25" 2 PC. Flat Pack	3.2
MFSS-A	6" x 12" 8 PC. Flat Pack 1 PC. EA. 001, .002, .003, .005, .008, .010, .015, .020	1.6

In our 40,000 Square Foot Warehouse, we shear coil to length from our large inventory. We are able to provide 24-Hour Turnaround on our coil shim stock.

**No Minimum Order Required.
Call Today!**

316 SS Coil Shim Stock Specs

Material Specs

Carbon	.03 Max
Manganese	2.00 Max
Sulphur	.03 Max
Nickel	10.00 - 14.00
Silicon	.75 Max
Phosphorus	.045 Max
Chromium	16.00 - 19.00
Nitrogen	.10 Max
Molybdenum	
Temper	Annealed
Rockwell	40-45 C Scale
Tensile	185,000 P.S.I. Min
Yield Strength	140,000 P.S.I. Min
Elongation	4% In 2"
Applicable Specs	AMS 5906B & ASTM-A-666-03



316 SS Shim Coil is packaged individually and color coded with blue labels describing thickness, width, length, and material. Heat numbers included on all boxes for easy traceability.

All stainless steel coil is now marked for ease of identity and traceability. Printed directly on the shim coil: Heat number, Thickness, Width, and Type of Material.

Thickness	6" Wide	12" Wide	24" Wide
.001"			
.002"	✓	✓	✓
.003"	✓	✓	✓
.004"	✓	✓	✓
.005"	✓	✓	✓
.006"			
.007"	✓	✓	✓
.008"			
.009"			
.010"	✓	✓	✓
.012"			
.015"	✓	✓	✓
.020"	✓	✓	✓
.025"	✓	✓	✓
.031"	✓	✓	✓

Thickness	Tolerance
.001"	+/- .00008
.002"	+/- .0001
.003"	+/- .00015
.004"	+/- .0002
.005"	+/- .00025
.006" - .020"	+/- .0005
.025" - .035"	+/- .0008

6" x 12" Wide 316 SS Coil Shim

6" x 50" Coil		
P/N	Description	WT (lbs)
316-002-6-50	.002" x 6" x 50"	0.2
316-003-6-50	.003" x 6" x 50"	0.3
316-004-6-50	.004" x 6" x 50"	0.3
316-005-6-50	.005" x 6" x 50"	0.4
316-007-6-50	.007" x 6" x 50"	0.6
316-010-6-50	.010" x 6" x 50"	0.6
316-015-6-50	.015" x 6" x 50"	0.7
316-020-6-50	.020" x 6" x 50"	0.8
316-025-6-50	.025" x 6" x 50"	1.0
316-031-6-50	.031" x 6" x 50"	1.0

6" x 100" Coil		
P/N	Description	WT (lbs)
316-002-6-100	.002" x 6" x 100"	0.4
316-003-6-100	.003" x 6" x 100"	0.5
316-004-6-100	.004" x 6" x 100"	0.7
316-005-6-100	.005" x 6" x 100"	0.9
316-007-6-100	.007" x 6" x 100"	1.1
316-010-6-100	.010" x 6" x 100"	1.3
316-015-6-100	.015" x 6" x 100"	1.5
316-020-6-100	.020" x 6" x 100"	1.6
316-025-6-100	.025" x 6" x 100"	2.0
316-031-6-100	.031" x 6" x 100"	2.0



12" x 50" Coil		
P/N	Description	WT (lbs)
316-002-12-50	.002" x 12" x 50"	0.6
316-003-12-50	.003" x 12" x 50"	0.8
316-004-12-50	.004" x 12" x 50"	1.0
316-005-12-50	.005" x 12" x 50"	1.1
316-007-12-50	.007" x 12" x 50"	1.5
316-010-12-50	.010" x 12" x 50"	2.1
316-015-12-50	.015" x 12" x 50"	3.0
316-020-12-50	.020" x 12" x 50"	4.5
316-025-12-50	.025" x 12" x 50"	5.3
316-031-12-50	.031" x 12" x 50"	5.3

12" x 100" Coil		
P/N	Description	WT (lbs)
316-002-12-100	.002" x 12" x 100"	1.2
316-003-12-100	.003" x 12" x 100"	1.6
316-004-12-100	.004" x 12" x 100"	1.9
316-005-12-100	.005" x 12" x 100"	2.2
316-007-12-100	.007" x 12" x 100"	2.9
316-010-12-100	.010" x 12" x 100"	4.3
316-015-12-100	.015" x 12" x 100"	6.0
316-020-12-100	.020" x 12" x 100"	8.9
316-025-12-100	.025" x 12" x 100"	10.6
316-031-12-100	.031" x 12" x 100"	10.6

24" Wide 316 SS Coil Shim & 316 SS Flat Packs

24" x 50" Coil		
P/N	Description	WT (lbs)
316-002-24-50	.002" x 24" x 50"	1.2
316-003-24-50	.003" x 24" x 50"	1.6
316-004-24-50	.004" x 24" x 50"	1.9
316-005-24-50	.005" x 24" x 50"	2.2
316-007-24-50	.007" x 24" x 50"	2.9
316-010-24-50	.010" x 24" x 50"	4.3
316-015-24-50	.015" x 24" x 50"	6.0
316-020-24-50	.020" x 24" x 50"	8.9
316-025-24-50	.025" x 24" x 50"	10.6
316-031-24-50	.031" x 24" x 50"	10.6

24" x 100" Coil		
P/N	Description	WT (lbs)
316-002-24-100	.002" x 24" x 100"	2.5
316-003-24-100	.003" x 24" x 100"	3.1
316-004-24-100	.004" x 24" x 100"	3.8
316-005-24-100	.005" x 24" x 100"	4.4
316-007-24-100	.007" x 24" x 100"	5.5
316-010-24-100	.010" x 24" x 100"	8.6
316-015-24-100	.015" x 24" x 100"	12.0
316-020-24-100	.020" x 24" x 100"	17.8
316-025-24-100	.025" x 24" x 100"	21.2
316-031-24-100	.031" x 24" x 100"	21.2



316SS is a high grade stainless steel product.

It is ideal for applications in a more highly corrosive environment. This particular stainless steel is able to withstand corrosion for a longer period of time than lower grades of stainless such as the 302/304.

Flat Packs 5 PC. 8" x 12"		
P/N	Description	WT (lbs)
M31612-1	5 PC. .001" x 8" x 12"	0.1
M31612-2	5 PC. .002" x 8" x 12"	0.1
M31612-3	5 PC. .003" x 8" x 12"	0.1
M31612-4	5 PC. .004" x 8" x 12"	0.1
M31612-5	5 PC. .005" x 8" x 12"	0.1
M31612-7	5 PC. .007" x 8" x 12"	0.1
M31612-10	5 PC. .010" x 8" x 12"	0.1
M31612-12	5 PC. .012" x 8" x 12"	0.1
M31612-15	5 PC. .015" x 8" x 12"	0.1
M31612-20	5 PC. .020" x 8" x 12"	0.1
M31612-AL	1PC. EA. 8" x 12" .001, .002, .003, .004, .005, .007, .010, .015, .020	2.20

Flat Packs 2 PC. 6" x 25"		
P/N	Description	WT (lbs)
M31625-12	2 PC. .012" x 6" x 25"	0.5
M31625-15	2 PC. .012" x 6" x 25"	0.7
M31625-20	2 PC. .012" x 6" x 25"	0.9
M31625-25	2 PC. .012" x 6" x 25"	1.1
M31625-31	2 PC. .012" x 6" x 25"	1.4

260 Brass Coil Shim Stock Specs

Material Specs

Copper	68.5 - 71.5
Lead	.050 Max
Iron	.050 Max
Zinc	Balance
Temper	1/2 Hard 2 B & S #S Hard
Rockwell	30T Approx 56 - 58
Tensile	Approx 62,000 PSI
Elongation	23% IN 2"
Applicable Specs	ASTMB - 36



Thickness	6" Wide	12" Wide
.001"	✓	
.002"	✓	✓
.003"	✓	✓
.004"	✓	✓
.005"	✓	✓
.006"	✓	✓
.007"	✓	
.008"	✓	
.010"	✓	
.012"	✓	✓
.015"	✓	
.020"	✓	✓
.025"	✓	✓
.031"	✓	

6" Coil available in 50" & 100" Lengths
 12" Available in 120" lengths only

Brass Shim Coil is packaged individually and color coded with yellow labels describing thickness, width, length, and material.

Heat numbers included on all boxes for easy traceability.

Thickness	Tolerance
.001"	+/- .00006
.002"	+/- .0006
.003"	+/- .0007
.004"	+/- .0008
.005"	+/- .0008
.006" - .020"	+/- .0015
.025" - .035"	+/- .002

6" x 12" Wide 260 Brass Coil Shim

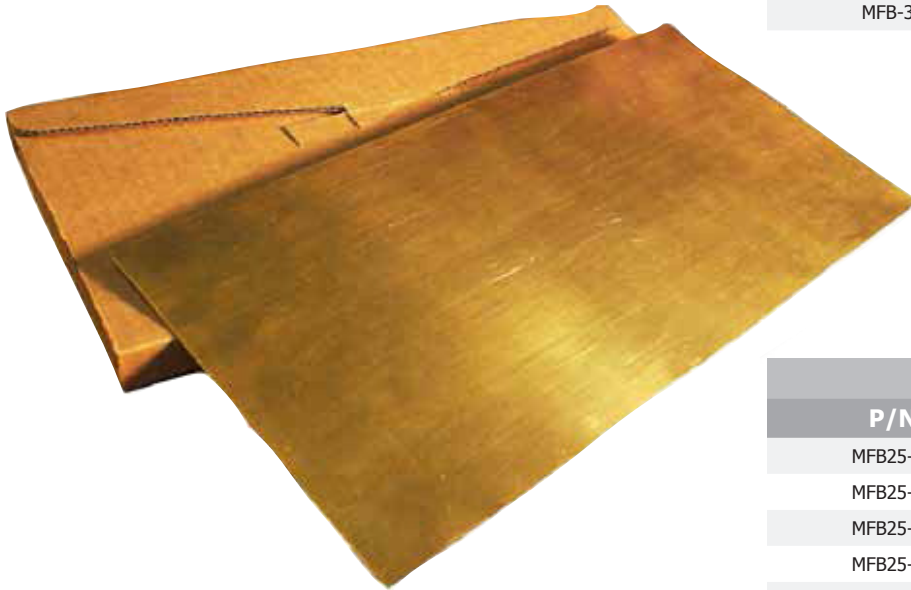
6" x 50" Coil		
P/N	Description	WT (lbs)
B001-50	.001" x 6" x 50"	0.2
B002-50	.002" x 6" x 50"	0.2
B003-50	.003" x 6" x 50"	0.3
B004-50	.004" x 6" x 50"	0.4
B005-50	.005" x 6" x 50"	0.5
B006-50	.006" x 6" x 50"	0.6
B007-50	.007" x 6" x 50"	0.7
B008-50	.008" x 6" x 50"	0.8
B009-50	.009" x 6" x 50"	0.9
B010-50	.010" x 6" x 50"	1.0
B012-50	.012" x 6" x 50"	1.2
B015-50	.015" x 6" x 50"	1.5
B020-50	.020" x 6" x 50"	1.8
B025-50	.025" x 6" x 50"	2.5
B031-50	.031" x 6" x 50"	3.1

6" x 100" Coil		
P/N	Description	WT (lbs)
B001-100	.001" x 6" x 100"	0.3
B002-100	.002" x 6" x 100"	0.5
B003-100	.003" x 6" x 100"	0.6
B004-100	.004" x 6" x 100"	0.8
B005-100	.005" x 6" x 100"	1.0
B006-100	.006" x 6" x 100"	1.5
B007-100	.007" x 6" x 100"	1.6
B008-100	.008" x 6" x 100"	1.6
B009-100	.009" x 6" x 100"	1.8
B010-100	.010" x 6" x 100"	2.0
B012-100	.012" x 6" x 100"	2.4
B015-100	.015" x 6" x 100"	3.1
B020-100	.020" x 6" x 100"	3.7
B025-100	.025" x 6" x 100"	5.1
B031-100	.031" x 6" x 100"	6.1



12" x 120" Coil		
P/N	Description	WT (lbs)
B001-12-120	.001" x 12" x 120"	0.4
B002-12-120	.002" x 12" x 120"	0.9
B003-12-120	.003" x 12" x 120"	1.4
B004-12-120	.004" x 12" x 120"	1.8
B005-12-120	.005" x 12" x 120"	2.2
B010-12-120	.010" x 12" x 120"	4.4
B015-12-120	.015" x 12" x 120"	7.1
B020-12-120	.020" x 12" x 120"	8.9

260 Brass Flat Packs



Flat Packs Assortments 2 PC. 6" x 12"

P/N	Description	WT (lbs)
MFB-12	2 PC .012" x 6" x 12"	1.5
MFB-15	2 PC .015" x 6" x 12"	1.8
MFB-20	2 PC .020" x 6" x 12"	2.3
MFB-25	2 PC. .025" x 6" x 12"	2.8
MFB-31	2 PC. .031" x 6" x 12"	3.3

Flat Packs Assortments 2 PC. 6" x 25"

P/N	Description	WT (lbs)
MFB25-12	2 PC. .012" x 6" x 25"	1.5
MFB25-15	2 PC. .015" x 6" x 25"	1.8
MFB25-20	2 PC. .020" x 6" x 25"	2.3
MFB25-25	2 PC. .025" x 6" x 25"	2.8
MFB25-31	2 PC. .031" x 6" x 25"	3.3

Flat Packs 10 PC. 6" x 18"

P/N	Description	WT (lbs)
MFB18-01	10 PC. .001" x 6" x 18"	0.6
MFB18-02	10 PC. .002" x 6" x 18"	1.1
MFB18-03	10 PC. .003" x 6" x 18"	1.2
MFB18-04	10 PC. .004" x 6" x 18"	2.0
MFB18-05	10 PC. .005" x 6" x 18"	1.9?
MFB18-06	10 PC. .006" x 6" x 18"	2.3
MFB18-07	10 PC. .007" x 6" x 18"	2.6
MFB18-08	10 PC. .008" x 6" x 18"	2.9
MFB18-09	10 PC. .009" x 6" x 18"	3.0
MFB18-10	10 PC. .010" x 6" x 18"	3.6
MFB18-12	10 PC. .012" x 6" x 18"	4.3
MFB18-15	10 PC. .015" x 6" x 18"	5.4
MFB18-20	10 PC. .020" x 6" x 18"	7.0
MFB18-25	10 PC. .025" x 6" x 18"	8.7
MFB18-31	10 PC. .031" x 6" x 18"	10.6

Flat Packs Assortments

P/N	Description	WT (lbs)
FBA-612	6" x 12" Assortment 11 PC 1 PC. EA. .001 - .008, .010, .012, .015	2.8
FBA-612L	6" x 12" Assortment 14 PC 1 PC. EA. .001 - .008, .010, .012, .015 .020, .025, .031	3.0
B650-A	1 PC. EA. 6" x 50" Roll .001', .002', .003', .004	1.1
MFB18-AS	6" x 18" Assortment 11 PC 1 PC. EA. .001 - .008, .010, .012, .015	2.8
MFB18-AL	6" x 18" Assortment 14 PC 1 PC. EA. .001 - .008, .010, .012, .015 .020, .025, .031	5.3

1008/1010 Steel Coil Shim Stock Specs

Material Specs

Carbon	.25 Max
Manganese	1.00 Max
Sulphur	.05 Max
Phosphorus	.04 Max
Temper	Full Hard
Rockwell	90 - 100 B Scale
Applicable Specs	ASTM-A-109-98A



1008 / 1010 Steel Shim Coil is packaged individually and color coded with Green labels describing thickness, width, length, and material. Heat numbers included on all boxes for easy traceability.

Thickness	6" Wide	12" Wide	24" Wide
.001"	✓		
.002"	✓	✓	✓
.003"	✓	✓	✓
.004"	✓		✓
.005"	✓	✓	✓
.006"	✓		
.007"	✓		✓
.008"	✓	✓	
.009"	✓		
.010"	✓	✓	✓
.012"	✓		
.015"	✓	✓	✓
.020"	✓	✓	✓
.025"	✓	✓	✓
.031"	✓		

Thickness	Tolerance
.001"	+/- .0002
.002"	+/- .0002
.003"	+/- .0002
.004"	+/- .0005
.005"	+/- .0005
.006" - .020"	+/- .00075
.025" - .035"	+/- .001

6", 12" & 24" Wide 1008/1010 Steel Coil Shim

6" x 100" Coil		
P/N	Description	Net Weight (lbs)
S001-6-100	.001" x 6" x 100"	0.3
S002-6-100	.002" x 6" x 100"	0.5
S003-6-100	.003" x 6" x 100"	0.6
S004-6-100	.004" x 6" x 100"	0.7
S005-6-100	.005" x 6" x 100"	1.0
S006-6-100	.006" x 6" x 100"	1.1
S007-6-100	.007" x 6" x 100"	1.3
S008-6-100	.008" x 6" x 100"	1.5
S009-6-100	.009" x 6" x 100"	1.7
S010-6-100	.010" x 6" x 100"	1.8
S012-6-100	.012" x 6" x 100"	2.2
S015-6-100	.015" x 6" x 100"	2.8
S020-6-100	.020" x 6" x 100"	3.9
S025-6-100	.025" x 6" x 100"	5.0
S031-6-100	.031" x 6" x 100"	6.6



12" x 100" Coil		
P/N	Description	Net Weight (lbs)
S002-12-100	.002" x 12" x 100"	0.6
S003-12-100	.003" x 12" x 100"	1.2
S005-12-100	.005" x 12" x 100"	2.2
S008-12-100	.008" x 12" x 100"	3.2
S010-12-100	.010" x 12" x 100"	4.3
S015-12-100	.015" x 12" x 100"	6.0
S020-12-100	.020" x 12" x 100"	8.9
S025-12-100	.025" x 12" x 100"	10.6

24" x 100" Coil		
P/N	Description	Net Weight (lbs)
002-24-100	.002" x 24" x 100"	1.2
003-24-100	.003" x 24" x 100"	2.4
005-24-100	.005" x 24" x 100"	4.0
008-24-100	.008" x 24" x 100"	6.0
010-24-100	.010" x 24" x 100"	7.2
015-24-100	.015" x 24" x 100"	11.2
020-24-100	.020" x 24" x 100"	15.6
025-24-100	.025" x 24" x 100"	20.0

1008/1010 Steel Flat Packs



Flat Packs Assortments 2 PC. 6" x 25"

P/N	Description	Net Weight (lbs)
MFSL-12	2 PC. .012" x 6" x 25"	1.5
MFSL-15	2 PC. .015" x 6" x 25"	1.7
MFSL-20	2 PC. .020" x 6" x 25"	2.2
MFSL-25	2 PC. .025" x 6" x 25"	2.6
MFSL-31	2 PC. .031" x 6" x 25"	3.1

Flat Packs 10 PC. 6" x 18"

P/N	Description	Net Weight (lbs)
MFB18-1	10 PC. .001" x 6" x 18"	0.6
MFB18-2	10 PC. .002" x 6" x 18"	1.1
MFB18-3	10 PC. .003" x 6" x 18"	1.2
MFB18-4	10 PC. .004" x 6" x 18"	2.0
MFB18-5	10 PC. .005" x 6" x 18"	2.1
MFB18-6	10 PC. .006" x 6" x 18"	2.3
MFB18-7	10 PC. .007" x 6" x 18"	2.6
MFB18-8	10 PC. .008" x 6" x 18"	2.9
MFB18-10	10 PC. .010" x 6" x 18"	3.6
MFB18-12	10 PC. .012" x 6" x 18"	4.3
MFB18-15	10 PC. .015" x 6" x 18"	5.4
MFB18-20	10 PC. .020" x 6" x 18"	7.0
MFB18-25	10 PC. .025" x 6" x 18"	8.7
MFB18-31	10 PC. .031" x 6" x 18"	10.6

Flat Packs Assortments

P/N	Description	WT. (lbs)
MFSL12-AS	6" x 12" Assortment 11 PC 1 PC. EA. .001 - .008, .010, .012, .015	1.7
MFSL12-AL	6" x 12" Assortment 14 PC 1 PC. EA. .001 - .008, .010, .012, .015 .020, .025, .031	3.3
MFSL18-AS	1 PC. EA. 6" x 50' Roll .001', .002', .003', .004	2.3
MFSL18-AL	6" x 18" Assortment 11 PC 1 PC. EA. .001 - .008, .010, .012, .015	4.6
S650-A	6" x 50" Assortment 14 PC 1 PC. EA. .001 - .002, .003, .004, .015 .020, .025, .031	0.9
MFSL1224	12" x 24" Assortment 14 PC 1 PC. EA. .001 - .008, .010, .012, .015 .020, .025, .031	12.3

Plastic Shim Stock Specs

SILVER
AMBER
PURPLE
RED
GREEN
TAN
BLUE
TRANSPARENT
BROWN
BLACK
PINK
YELLOW
WHITE
CORAL
TRANSPARENT
TRANSPARENT
TRANSPARENT

Material Specs		
Thickness	.0005" - .020" #222	.025" - .060"
Thickness	170 Mpa	600 kg/cm
Ultimate Elongation	120%	110%
Moisture Absorption	.80%	.20%
Thickness @ Tolerance	+/- 7.5%	+/-10%
Compression @ 500 PSI	.11%	1.00%
Upper Service Temp	302° F (150° C)	212° F (100° C)
Lower Service Temp	-94° F (-70° C)	-76° F (-60° C)
Melt Temp	491 F (225 C)	302 F (150 C)
Density	.050 lbs in ³ (1.39 g/cm)	0.33 lbs/in ³ (1.39 g/cm)
Ignition Temp	752°F (225°C)	572°F (300°C)
Creep	0.90%	4.00%
Material	PETP, MYLAR	POLYPROPYLENE

Chemical Resistance To:		
Acetic Acid	SUITABLE	SUITABLE
Hydrochloric Acid 10%	SUITABLE	SUITABLE
Sodium Hydroxide 10%	SUITABLE	SUITABLE
Water	SUITABLE	SUITABLE
Tricoethylene	SUITABLE	NOT SUITABLE
Detergent Oils 50F 10C	SUITABLE	SUITABLE
Other Hydrocarbons Oils	SUITABLE	NOT SUITABLE
Ammonium Hydroxide	NOT SUITABLE	NOT SUITABLE

Thickness	Tolerance
.001"	+/- 5%
.002"	+/- 5%
.003"	+/- 5%
.004"	+/- 5%
.005"	+/- 5%
.006" - .020"	+/- 5%
.025" - .035"	+/- 10%
.050"	+/- 10%
.060"	+/- 10%

Thickness	Color
.0005"	Silver
.001"	Amber
.0015"	Purple
.002"	Red
.003"	Green
.004"	Tan
.005"	Blue
.0075"	Transparent
.010"	Brown
.0125"	Black
.015"	Pink
.020"	Yellow
.025"	White
.030"	Coral
.040"	Transparent
.050"	Transparent
.060"	Transparent

Plastic Shim Stock Sheets

5" x 20" Individual Sheets

P/N	Color	Description
PL5-0005	Silver	1 PC. .0005" x 5" x 20"
PL5-001	Amber	1 PC. .001" x 5" x 20"
PL5-0015	Purple	1 PC. .0015" x 5" x 20"
PL5-002	Red	1 PC. .002" x 5" x 20"
PL5-003	Green	1 PC. .003" x 5" x 20"
PL5-004	Tan	1 PC. .004" x 5" x 20"
PL5-005	Blue	1 PC. .005" x 5" x 20"
PL5-0075	Transparent	1 PC. .0075" x 5" x 20"
PL5-010	Brown	1 PC. .010" x 5" x 20"
PL5-0125	Black	1 PC. .0125" x 5" x 20"
PL5-015	Pink	1 PC. .015" x 5" x 20"
PL5-020	Yellow	1 PC. .020" x 5" x 20"
PL5-0025	White	1 PC. .025" x 5" x 20"
PL5-030	Coral	1 PC. .030" x 5" x 20"
PL5-040	Transparent	1 PC. .040" x 5" x 20"
PL5-050	Transparent	1 PC. .050" x 5" x 20"
PL5-060	Transparent	1 PC. .060" x 5" x 20"
PL5-Assrt	14 PC. Assorted	5" x 20" Assortment 1 EA .0005" Through .030"



Silver



Amber



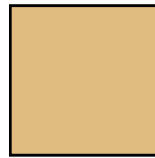
Purple



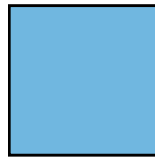
Red



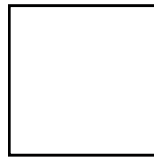
Green



Tan



Blue



Transparent



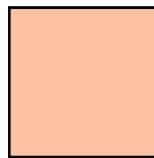
Brown

20" x 20" Individual Sheets

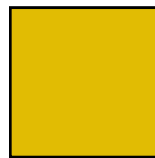
P/N	Color	Description
PL-0005S	Silver	1 PC. .0005" x 20" x 20"
PL-001S	Amber	1 PC. .001" x 20" x 20"
PL-0015S	Purple	1 PC. .0015" x 20" x 20"
PL-002S	Red	1 PC. .002" x 20" x 20"
PL-003S	Green	1 PC. .003" x 20" x 20"
PL-004S	Tan	1 PC. .004" x 20" x 20"
PL-005S	Blue	1 PC. .005" x 20" x 20"
PL-0075S	Transparent	1 PC. .0075" x 20" x 20"
PL-010S	Brown	1 PC. .010" x 20" x 20"
PL-0125	Black	1 PC. .0125" x 20" x 20"
PL-025S	Pink	1 PC. .015" x 20" x 20"
PL-025S	Yellow	1 PC. .020" x 20" x 20"
PL-0025S	White	1 PC. .025" x 20" x 20"
PL-030S	Coral	1 PC. .030" x 20" x 20"
PL-040S	Transparent	1 PC. .040" x 20" x 20"
PL-050S	Transparent	1 PC. .050" x 20" x 20"
PL-060S	Transparent	1 PC. .060" x 20" x 20"
PL20-Assrt	14 PC. Assorted	5" x 20" Assortment 1 EA .0005" Through .030"



Black



Pink



Yellow



White



Coral



Transparent



Transparent



Transparent

10" x 20" Individual Sheets

P/N	Color	Description
PL10-0005	Silver	1 PC. .0005" x 10" x 20"
PL10-001	Amber	1 PC. .001" x 10" x 20"
PL10-0015	Purple	1 PC. .0015" x 10" x 20"
PL10-002	Red	1 PC. .002" x 10" x 20"
PL10-003	Green	1 PC. .003" x 10" x 20"
PL10-004	Tan	1 PC. .004" x 10" x 20"
PL10-005	Blue	1 PC. .005" x 10" x 20"
PL10-0075	Transparent	1 PC. .0075" x 10" x 20"
PL10-010	Brown	1 PC. .010" x 10" x 20"
PL10-0125	Black	1 PC. .0125" x 10" x 20"
PL10-015	Pink	1 PC. .015" x 10" x 20"
PL10-020	Yellow	1 PC. .020" x 10" x 20"
PL10-025	White	1 PC. .025" x 10" x 20"
PL10-030	Coral	1 PC. .030" x 10" x 20"
PL10-040	Transparent	1 PC. .040" x 10" x 20"
PL10-050	Transparent	1 PC. .050" x 10" x 20"
PL10-060	Transparent	1 PC. .060" x 10" x 20"
PL10-Assrt	14 PC. Assorted	10" x 20" Assortment 1 EA .0005" Through .030"

24" x 40" Individual Sheets

P/N	Color	Description
PL10-0005	Silver	1 PC. .0005" x 24" x 40"
PL10-001	Amber	1 PC. .001" x 24" x 40"
PL10-0015	Purple	1 PC. .0015" x 24" x 40"
PL10-002	Red	1 PC. .002" x 24" x 40"
PL10-003	Green	1 PC. .003" x 24" x 40"
PL10-004	Tan	1 PC. .004" x 24" x 40"
PL10-005	Blue	1 PC. .005" x 24" x 40"
PL10-0075	Transparent	1 PC. .0075" x 24" x 40"
PL10-0010	Brown	1 PC. .010" x 24" x 40"
PL10-0125	Black	1 PC. .0125" x 24" x 40"
PL10-015	Pink	1 PC. .015" x 24" x 40"
PL10-020	Yellow	1 PC. .020" x 24" x 40"
PL10-025	White	1 PC. .025" x 24" x 40"
PL10-030	Coral	1 PC. .030" x 24" x 40"
PL10-040	Transparent	1 PC. .040" x 24" x 40"
PL10-050	Transparent	1 PC. .050" x 24" x 40"
PL10-060	Transparent	1 PC. .060" x 24" x 40"

321 & 309 Stainless Steel Tool Wrap



Maudlin Products prides ourselves on our top of the line material. We are proud to offer stainless steel tool wrap in 20" & 10" widths.

Stainless Steel Tool Wrap is used when heat treating tooling. The tooling is wrapped in the foil with the edges crimped to form the envelope. This will create an air-tight package that will prevent the loss of surface carbon causes the tooling to become scaled and damaged. Using tool wrap not only protects your tooling from expensive repairs it also eliminates the need for box packaging with charcoal or sawdust.

321 SS Tool Wrap

20" Wide	Description	WT. (Lbs)
SSFW321-20-50	321 SS Tool Wrap .002" x 20" x 50'	12.0
SSFW321-20-100	321 SS Tool Wrap .002" x 20" x 100'	24.0
SSFW321-20-12	321 SS Tool Wrap .002" x 20" x 12'	4.0
SSFW321-20-25	321 SS Tool Wrap .002" x 20" x 25'	6.0

10" Wide	Description	WT. (Lbs)
SSFW321-10-50	321 SS Tool Wrap .002" x 10" x 50'	6.0
SSFW321-10-100	321 SS Tool Wrap .002" x 10" x 100'	12.0
SSFW321-10-12	321 SS Tool Wrap .002" x 10" x 12'	2.0
SSFW321-10-25	321 SS Tool Wrap .002" x 10" x 25'	3.0

309 SS Tool Wrap

20" Wide	Description	WT. (Lbs)
SSFW309-20-50	309 SS Tool Wrap .002" x 20" x 50'	12.0
SSFW309-20-100	309 SS Tool Wrap .002" x 20" x 100'	24.0
SSFW309-20-12	309 SS Tool Wrap .002" x 20" x 12'	4.0
SSFW309-20-25	309 SS Tool Wrap .002" x 20" x 25'	6.0

10" Wide	Description	WT. (Lbs)
SSFW309-10-50	309 SS Tool Wrap .002" x 10" x 50'	6.0
SSFW309-10-100	309 SS Tool Wrap .002" x 10" x 100'	12.0
SSFW309-10-12	309 SS Tool Wrap .002" x 10" x 12'	2.0
SSFW309-10-25	309 SS Tool Wrap .002" x 10" x 25'	3.0



Stainless Steel Tool Wrap Specs

Mechanical Property Requirements - Type 309 SS

Specs	Gauge	UTS (Ksi)		0.2% YS (Ksi)		%EL IN 2%	Hard	Bend	Corrosion	Ann Temp
		MIN	MAX	MIN	MAX	MIN				
ASTM A 167-96 309	ALL	75	-	30	-	40	RB 95 MAX	NONE	A262 PRAC E	> 1900
ASTM A 240/A 240-98a ANN	ALL	75	-	30	-	40	RB 95 MAX	NONE	A262 PRAC E	> 1900
AMS 5523E ANN	>0.002 To <0.003 >0.003 To <0.004 Over 0.004 To 0.249	75	110	-	-	20	RB 95 MAX	180-HW-IT	NONE	Not Specified
			105			30	RB 95 MAX		NONE	Not Specified
			100	30		40	RB 95 MAX		NONE	Not Specified

Specs	Starke	Rm (Mpa)		Rp 0.2(Mpa)		A 50.8 mm	Hard	Bend	Corrosion	Ann Temp
		MIN	MAX	MIN	MAX	MIN				
ASTM A 167-96 309	ALL	517	-	207	-	40	RB 95 MAX	NONE	A262 PRAC E	>1038
ASTM A 240/A 240-98a ANN	ALL	517	-	207	-	40	RB 95 MAX	NONE	A262 PRAC E	>1038
AMS-5523E ANN	>0.051 To <0.076 >0.076 To <0.102 Over 0.102 To 6.32	517	758	-	-	20	RB 95 MAX	180-HW-IT	NONE	Not Specified
			724			30	RB 95 MAX	180-HW-IT	NONE	Not Specified
			689	207		40	RB 95 MAX	180-HW-IT	NONE	Not Specified

MELTING RANGE:

2250 - 2650F

1400 - 1455C

Best Usage Temp:

Up to 2100F

Density:

8.00 g/cc

0.29 lb/in3

Mechanical Property Requirements - Type 321 SS

Specs	Gauge	UTS (Ksi)		0.2% YS (Ksi)		%EL IN 2%	Hard	Bend	Corrosion	Ann Temp
		MIN	MAX	MIN	MAX	MIN				
ASTM A 240/A 240M-98a	ALL	70	-	30	-	40	RB 95 MAX	NONE	A262 PRAC E	> 1900
AMS 5510N	>0.002 To <0.003 >0.003 To <0.004 Over 0.004 To 0.249	70	-110	25	-	20	RB 95 MAX	180-HW-IT	A262 PRAC E	Not Specified
			105	25		30			A262 PRAC E	Not Specified
			100	25		40			A262 PRAC E	Not Specified

Specs	Starke	Rm (Mpa)		Rp 0.2(Mpa)		A 50.8 mm	Hard	Bend	Corrosion	Ann Temp
		MIN	MAX	MIN	MAX	MIN				
ASTM A 240/A 240M-98a	ALL	517	-	207	-	40	RB 95 MAX	NONE	A262 PRAC E	>1038
AMS 5510N	>0.051 To <0.076 >0.076 To <0.102 Over 0.102 To 6.32	483	758	172	-	20	RB 95 MAX	180-HW-IT	A262 PRAC E	Not Specified
			724	172		30			A262 PRAC E	Not Specified
			689	172		40			A262 PRAC E	Not Specified

MELTING RANGE:

2250 - 2600F

1400 - 1455C

Best Usage Temp:

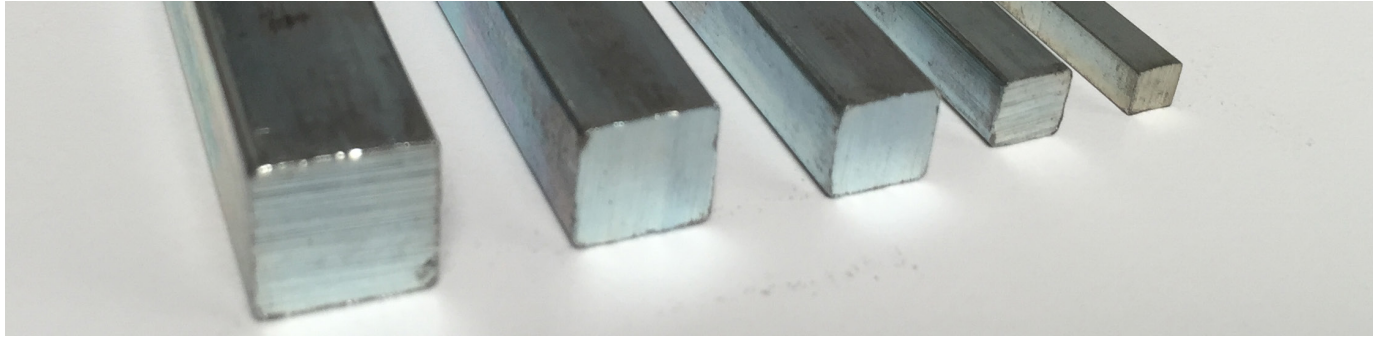
Up to 1800F

Density:

8.00 g/cc

0.29 lb/in3

Square Steel Zinc-Platted Keystock



Square Zinc-Plated Keystock 12" Length

P/N	Size	Wt. (lbs)
SKS-1-16	1/16" x 1/16"	0.1
SKS-3-32	3/32" x 3/32"	0.1
SKS-1-8	1/8" x 1/8"	0.1
SKS-5-32	5/32" x 5/32"	0.1
SKS-3-16	3/16" x 3/16"	0.1
SKS-7-32	7/32" x 7/32"	0.1
SKS-1-4	1/4" x 1/4"	0.2
SKS-9-32	9/32" x 9/32"	0.3
SKS-5-16	5/16" x 5/16"	0.3
SKS-3-8	3/8" x 3/8"	0.5
SKS-7-16	7/16" x 7/16"	0.7
SKS-1-2	1/2" x 1/2"	0.9
SKS-9-16	9/16" x 9/16"	1.1
SKS-5-8	5/8" x 5/8"	1.3
SKS-11-16	11/16" x 11/16"	1.7
SKS-3-4	3/4" x 3/4"	2.0
SKS 13-16	13/16" x 13/16"	2.5
SKS-7-8	7/8" x 7/8"	3.0
SKS-15-16	15/16" x 15/16"	3.2
SKS-1-1	1" x 1"	3.4
SKS-1.0625-1.0625	1-1/16" x 1-1/16"	3.8
SKS-1.125-1.125	1-1/8" x 1-1/8"	4.5
SKS-1.1875-1.1875	1-3/16" x 1-3/16"	2.1
SKS-1.25-1.25	1-1/4" x 1-1/4"	5.7
SKS-1.3125-1.3125	1-1/16" x 1-5/16"	6.4
SKS-1.375-1.375	1-3/8" x 1-3/8"	7.0
SKS-1.5-1.5	1-1/2" x 1-1/2"	7.7
SKS-625-1.625	1-5/8" x 1-5/8"	9.1
SKS-1.75-1.75	1-3/4" x 1-3/4"	10.5
SKS-1.875-1.875	1-7/8" x 1-7/8"	12.0
SKS-2-2	2" x 2"	13.4

*** Unplated Available Upon Request ***

Square Metric Zinc-Plated Steel Keystock 12" Length

P/N	Size	Wt. (lbs)
10148	4mm	0.1
10149	5mm	0.1
10150	6mm	0.2
10151	7mm	0.3
10152	8mm	0.3
10153	10mm	0.5
10154	12mm	0.9
10155	14mm	1.0
10156	16mm	1.3
10157	18mm	1.9
10158	20mm	2.2
10159	22mm	3.0
10160	25mm	3.3

Square Stainless Steel Keystock 12" Length

P/N	Size	Wt. (lbs)
10213	1/8"	0.1
10214	3/16"	0.1
10215	1/4"	0.2
10216	5/16"	0.3
10217	3/8"	0.5
10218	7/16"	0.7
10219	1/2"	0.9
10220	5/8"	1.3
10221	3/4"	1.9
10222	7/8"	2.6
10223	1"	3.4

Rectangular Steel Zinc-Plated Keystock

Rectangular Zinc-Plated Keystock 12" Length

P/N	Size	Wt. (lbs)
10189	1/8" X 3/16"	0.1
10190	1/8" X 1/4"	0.1
10191	1/8" X 3/8"	0.2
10828	1/8" X 1/2"	0.2
10829	1/8" X 5/8"	0.3
10830	1/8" X 3/4"	0.3
10192	3/16" X 1/4"	0.2
10193	3/16" X 5/16"	0.2
10194	3/16" X 3/8"	0.2
10831	3/16" X 7/16"	0.3
10195	3/16" X 1/2"	0.3
10832	3/16" X 5/8"	0.4
10833	3/16" X 7/8"	0.6
10196	1/4" X 5/16"	0.5
10197	1/4" X 3/8"	0.3
10834	1/4" X 7/16"	0.4
10198	1/4" X 1/2"	0.4
10835	1/4" X 9/16"	0.5
10836	1/4" X 9/16"	0.5
10837	1/4" X 3/4"	0.6
10199	5/16" X 3/8"	0.4
10200	5/16" X 7/16"	0.5
10201	5/16" X 1/2"	0.5
10838	5/16" X 9/16"	0.6
10202	5/16" X 5/8"	0.7
10839	5/16" X 3/4"	0.8
10203	3/8" X 7/16"	0.6
10204	3/8" X 1/2"	0.6
10840	3/8" X 9/16"	0.7
10205	3/8" X 5/8"	0.8
10206	3/8" X 3/4"	1
10841	3/8" X 1"	1.3
10207	7/16" X 1/2"	0.7
10842	7/16" X 9/16"	0.8
10208	7/16" X 5/8"	0.9
10209	7/16" X 3/4"	1.1
10843	1/2" X 9/16"	0.9

*** Unplated Available Upon Request ***

Rectangular Zinc-Plated Keystock 12" Length

P/N	Size	Wt. (lbs)
10210	1/2" X 5/8"	1.1
10211	1/2" X 11/16"	1.2
10212	1/2" X 3/4"	1.3
10844	1/2" X 7/8"	1.5
10845	1/2" X 1"	1.7
10846	9/16" X 5/8"	1.2
10847	9/16" X 5/8"	1.4
10848	9/16" X 1"	1.9
10849	9/16" X 1 1/4"	2.3
10850	5/8" X 11/16"	2.3
10851	5/8" X 3/4"	1.6
10852	5/8" X 7/8"	1.9
10853	5/8" X 1 1/4"	2.1
10854	11/16" X 1 1/4"	2.7
10855	11/16" X 3/4"	1.7
10856	11/16" X 7/8"	2.2
10857	11/16" X 1"	2.5
10858	3/4" X 7/8"	2.2
10749	3/4" X 1"	2.5
10859	3/4" X 1 1/8"	2.9
10860	3/4" X 1 1/4"	3.2
10861	3/4" X 1 1/2"	3.8
10862	3/4" X 1 3/4"	4.5
10863	7/8" X 1"	3
10864	7/8" X 1 1/8"	3.3
10865	7/8" X 1 1/4"	3.7
10866	1" X 1 1/8"	3.8
10867	1" X 1 1/4"	4.3
10868	1" X 1 1/2"	5.1
10869	1" X 1 3/4"	6
10870	1" X 2"	6.8
10871	1 1/8" X 1 1/4"	4.8
10872	1 1/4" X 1 3/8"	5.8
10873	1 1/4" X 1 1/2"	6.4
10874	1 1/4" X 1 3/4"	7.4
10875	1 1/2" X 1 3/4"	8.9
10876	1 1/2" X 2"	10.2

*** Unplated Available Upon Request ***

Steel Feeler Gage



1/2" x 12" Strips 12 PC. Per Box

P/N	Thickness	P/N	Thickness
MSF-1	.001"	MSF-18	.018"
MSF-1X	.0015"	MSF-19	.019"
MSF-2	.002"	MSF-20	.020"
MSF2X	.0025"	MSF-21	.021"
MSF-3	.003"	MSF-22	.022"
MSF-4	.004"	MSF-23	.023"
MSF-5	.005"	MSF-24	.024"
MSF-6	.006"	MSF-25	.025"
MSF-7	.007"	MSF-26	.026"
MSF-8	.008"	MSF-27	.027"
MSF-9	.009"	MSF-28	.028"
MSF-10	.010"	MSF-29	.029"
MSF-11	.011"	MSF-30	.030"
MSF-12	.012"	MSF-31	.031"
MSF-13	.013"	MSF-32	.032"
MSF-14	.014"	MSF-33	.033"
MSF-15	.015"	MSF-34	.034"
MSF-16	.016"	MSF-35	.035"
MSF-17	.017"	MSF-40	.040"

1/2" x 25 FT Coil

P/N	Thickness	P/N	Thickness
MST-1	.001"	MST-18	.018"
MST-1X	.0015"	MST-19	.019"
MST-2	.002"	MST-20	.020"
MST-2X	.0025"	MST-21	.021"
MST-3	.003"	MST-22	.022"
MST-4	.004"	MST-23	.023"
MST-5	.005"	MST-24	.024"
MST-6	.006"	MST-25	.025"
MST-7	.007"	MST-26	.026"
MST-8	.008"	MST-27	.027"
MST-9	.009"	MST-28	.028"
MST-10	.010"	MST-29	.029"
MST-11	.011"	MST-30	.030"
MST-12	.012"	MST-31*	.031"
MST-13	.013"	MST-32*	.032"
MST-14	.014"	MST-33*	.033"
MST-15	.015"	MST-34*	.034"
MST-16	.016"	MST-35*	.035"
MST-17	.017"	MST-40*	.040"

* 15 ft. Coil



1/2" x 12" Strips 12 PC. Per Box

P/N	Thickness
MSSF-X	.0005"
MSSF-1	.001"
MSSF-1X	.0015"
MSSF-2	.002"
MSSF-2X	.0025"
MSSF-3	.003"
MSSF-4	.004"
MSSF-5	.005"
MSSF-6	.006"
MSSF-7	.007"
MSSF-8	.008"
MSSF-9	.009"
MSSF-10	.010"
MSSF-12	.012"
MSSF-15	.015"
MSSF-16	.016"
MSSF-18	.018"
MSSF-20	.020"
MSSF-25	.025"
MSSF-31	.031"



1/2" x 10 FT Coil

P/N	Thickness
MSST-X	.0005"
MSST-1	.001"
MSST-1X	.0015"
MSST-2	.002"
MSST-2X	.0025"
MSST-3	.003"
MSST-4	.004"
MSST-5	.005"
MSST-6	.006"
MSST-7	.007"
MSST-8	.008"
MSST-9	.009"
MSST-10	.010"
MSST-12	.012"
MSST-15	.015"
MSST-16	.016"
MSST-18	.018"
MSST-20	.020"
MSST-25	.025"
MSST-31	.031"

*** Call For Availability ***

B7 Fluoropolymer Coated Studs and Nuts

1/2" Diameter

P/N	DIA x Length	Description
B7-.5-2.5	1/2" x 2-1/2"	B7 Coated Stud with 2H Nuts
B7-.5-2.75	1/2" x 2-3/4"	B7 Coated Stud with 2H Nuts
B7-.5-3	1/2" x 3-1/4"	B7 Coated Stud with 2H Nuts
B7-.5-3.5	1/2" x 3-1/2"	B7 Coated Stud with 2H Nuts

3/4" Diameter

P/N	DIA x Length	Description
B7-.75-3.75	3/4" x 3-3/4"	B7 Coated Stud with 2H Nuts
B7-.75-4	3/4" x 4"	B7 Coated Stud with 2H Nuts
B7-.75-4.25	3/4" x 4-1/4"	B7 Coated Stud with 2H Nuts
B7-.75-4.5	3/4" x 4-1/2"	B7 Coated Stud with 2H Nuts
B7-.75-4.75	3/4" x 4-3/4"	B7 Coated Stud with 2H Nuts
B7-.75-5	3/4" x 5"	B7 Coated Stud with 2H Nuts
B7-.75-5.25	3/4" x 5-1/4"	B7 Coated Stud with 2H Nuts
B7-.75-6	3/4" x 6"	B7 Coated Stud with 2H Nuts
B7-.75-6.25	3/4" x 6-1/4"	B7 Coated Stud with 2H Nuts
B7-.75-7	3/4" x 7"	B7 Coated Stud with 2H Nuts
B7-.75-7.5	3/4" x 7-1/2"	B7 Coated Stud with 2H Nuts

1" Diameter

P/N	DIA x Length	Description
B7-1-5	1" x 5"	B7 Coated Stud with 2H Nuts
B7-1-5.5	1" x 5-1/2"	B7 Coated Stud with 2H Nuts
B7-1-6	1" x 6"	B7 Coated Stud with 2H Nuts
B7-1-6.25	1" x 6-1/4"	B7 Coated Stud with 2H Nuts
B7-1-6.5	1" x 6-1/2"	B7 Coated Stud with 2H Nuts
B7-1-6.75	1" x 6-3/4"	B7 Coated Stud with 2H Nuts
B7-1-7	1" x 7"	B7 Coated Stud with 2H Nuts
B7-1-7.5	1" x 7-1/2"	B7 Coated Stud with 2H Nuts

1-1/4" Diameter

P/N	DIA x Length	Description
B7-1.25-7	1-1/4" x 7"	B7 Coated Stud with 2H Nuts
B7-1.25-8	1-1/4" x 8"	B7 Coated Stud with 2H Nuts
B7-1.25-8.5	1-1/4" x 8-1/2"	B7 Coated Stud with 2H Nuts
B7-1.25-9	1-1/4" x 9"	B7 Coated Stud with 2H Nuts
B7-1.25-9.25	1-1/4" x 9-1/4"	B7 Coated Stud with 2H Nuts
B7-1.25-9.5	1-1/4" x 9-1/2"	B7 Coated Stud with 2H Nuts



5/8" Diameter

P/N	DIA x Length	Description
B7-.625-3	5/8" x 3"	B7 Coated Stud with 2H Nuts
B7-.625-3.25	5/8" x 3-1/4"	B7 Coated Stud with 2H Nuts
B7-.625-3.5	5/8" x 3-1/2"	B7 Coated Stud with 2H Nuts
B7-.625-3.75	5/8" x 3-3/4"	B7 Coated Stud with 2H Nuts
B7-.625-4	5/8" x 4"	B7 Coated Stud with 2H Nuts
B7-.625-4.25	5/8" x 4-1/4"	B7 Coated Stud with 2H Nuts
B7-.625-5	5/8" x 5"	B7 Coated Stud with 2H Nuts
B7-.625-6	5/8" x 6"	B7 Coated Stud with 2H Nuts

7/8" Diameter

P/N	DIA x Length	Description
B7-.875-4.5	7/8" x 4-1/2"	B7 Coated Stud with 2H Nuts
B7-.875-4.75	7/8" x 4-3/4"	B7 Coated Stud with 2H Nuts
B7-.875-5	7/8" x 5"	B7 Coated Stud with 2H Nuts
B7-.875-5.25	7/8" x 5-1/4"	B7 Coated Stud with 2H Nuts
B7-.875-5.5	7/8" x 5-1/2"	B7 Coated Stud with 2H Nuts
B7-.875-6	7/8" x 6"	B7 Coated Stud with 2H Nuts
B7-.875-6.25	7/8" x 6-1/4"	B7 Coated Stud with 2H Nuts
B7-.875-6.5	7/8" x 6-1/2"	B7 Coated Stud with 2H Nuts
B7-.875-7	7/8" x 7"	B7 Coated Stud with 2H Nuts
B7-.875-8	7/8" x 8"	B7 Coated Stud with 2H Nuts

1-1/8" Diameter

P/N	DIA x Length	Description
B7-1.125-6.25	1-1/8" x 6-1/4"	B7 Coated Stud with 2H Nuts
B7-1.125-6.5	1-1/8" x 6-1/2"	B7 Coated Stud with 2H Nuts
B7-1.125-6.75	1-1/8" x 6-3/4"	B7 Coated Stud with 2H Nuts
B7-1.125-7	1-1/8" x 7"	B7 Coated Stud with 2H Nuts
B7-1.125-7.25	1-1/8" x 7-1/4"	B7 Coated Stud with 2H Nuts
B7-1.125-7.5	1-1/8" x 7-1/2"	B7 Coated Stud with 2H Nuts
B7-1.125-7.75	1-1/8" x 7-3/4"	B7 Coated Stud with 2H Nuts
B7-1.125-8	1-1/8" x 8"	B7 Coated Stud with 2H Nuts

1-3/8" Diameter

P/N	DIA x Length	Description
B7-1.375-9.5	1-3/8" x 9-1/2"	B7 Coated Stud with 2H Nuts
B7-1.375-10.5	1-3/8" x 10-1/2"	B7 Coated Stud with 2H Nuts



Our Custom Job Shop was built on one simple premise – that standard sizes do not fit all. We offer fast and affordable turnaround to meet all of your distinct rotating equipment needs.

When it comes to selection and quality, Maudlin is the answer.

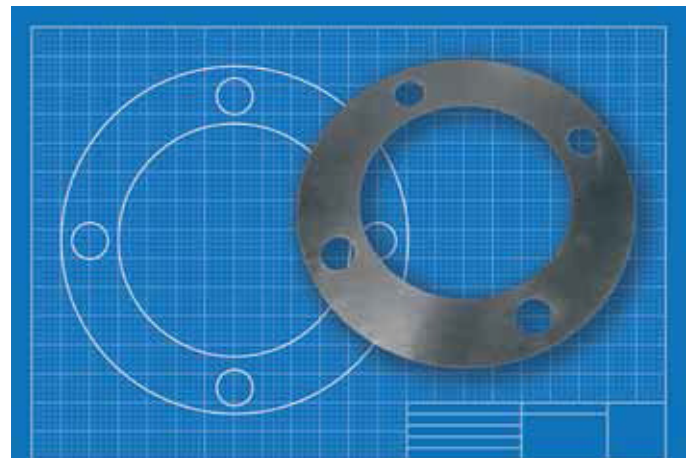
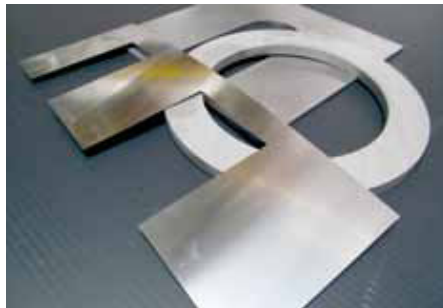
We offer

- Quotes processed in 24-48 hours
- 3-5 day turnaround on some jobs
- Precision thickness tolerances
- Expedite your order for same/next day service in most instances
- Precision manufactured per your requirements

Standard Material Specifications include:

TYPE	MATERIAL	THICKNESS .001 - 12"	WIDTH
302 Full Hard	Stainless Steel	.002 - .012	6" - 12" - 24"
302 Full Hard	Stainless Steel	.015 - .031	6" - 12" - 24"
302 Annealed	Stainless Steel	.036 - .125	48"
1008/1010 Full Hard	Steel	.002 - .031	6" - 12" - 24"
1008/1010 Full Hard	Steel	.036 - .125	48"
260 Alloy Half Hard	Brass	.001 - .031	6" - 12"
260 Alloy Half Hard	Brass	.036 - .125	36"
Polyester Film	Plastic	.001 - .020	24"
Polyester Film	Polypropylene	.025 - .060	24"
316 Annealed	Stainless Steel	.002 - .031	6" - 12" - 24"
316 Annealed	Stainless Steel	.036 - .125	48"

Contact one of our experienced sales professionals for your quote today. Just supply us with a print, sample, or dimensions!





MW Components

About MW Components

MW Components is focused on accelerating the entire process of delivering custom, stock, and standard parts to virtually any volume and against demanding deadlines. We work to highly complex tolerances. We help simplify the management of any number of different components. And we take a no-compromise approach to quality. With MW Components, you can be sure you'll get the right part to the right specification when and where you need it.

MW Components. Whatever it takes.

[MWComponents.com](https://www.MWComponents.com)