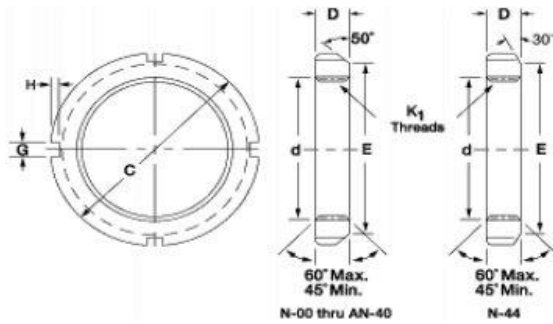


**LOCKNUT DIMENSIONS**  
**INCH DESIGN / FOR BALL BEARINGS AND**  
**CYLINDRICAL, SPHERICAL AND TAPERED**  
**ROLLER BEARINGS**



LOCKNUT NO.	THREADS		OUTSIDE DIA. C MAX	FACE DIA. E MAX	NUT WIDTH D MAX	SLOT WIDTH G MIN	SLOT DEPTH H MAX	FACE RUNOUT Sd MAX	APP. WT. LB/C
	MAJOR DIA. d MIN	NO. PER IN. K1							
N-04	.781	32	1.380	1.125	.385	.178	.104	.002	9.0