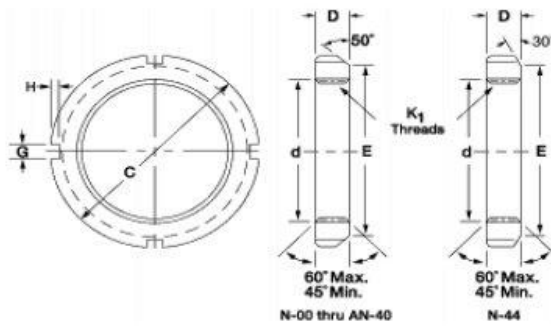


LOCKNUT DIMENSIONS

**INCH DESIGN / FOR BALL BEARINGS AND
CYLINDRICAL, SPHERICAL AND TAPERED
ROLLER BEARINGS**



LOCKNUT NO.	THREADS		OUTSIDE DIA. C MAX	FACE DIA. E MAX	NUT WIDTH D MAX	SLOT WIDTH G MIN	SLOT DEPTH H MAX	FACE RUNOUT Sd MAX	APP. WT. LB/C
	MAJOR DIA. d	NO. PER IN. K1							
	MIN								
N-11	2.175	18	2.974	2.656	.510	.240	.135	.004	42.0