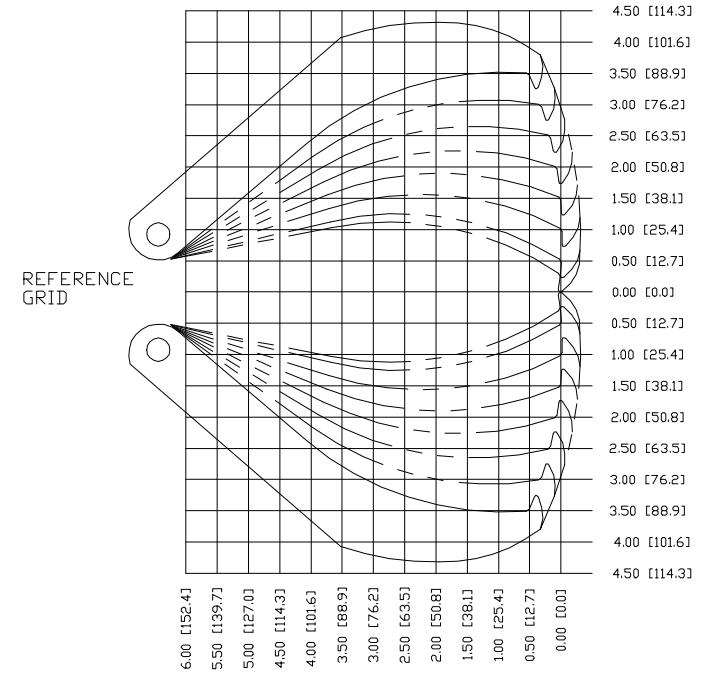
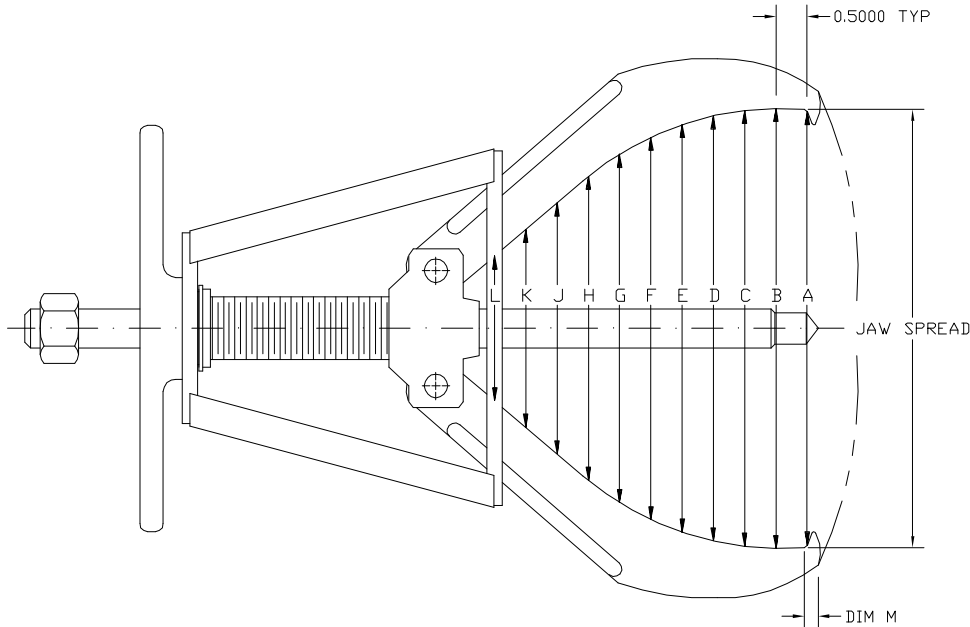


# 106 / 206 Manual Puller

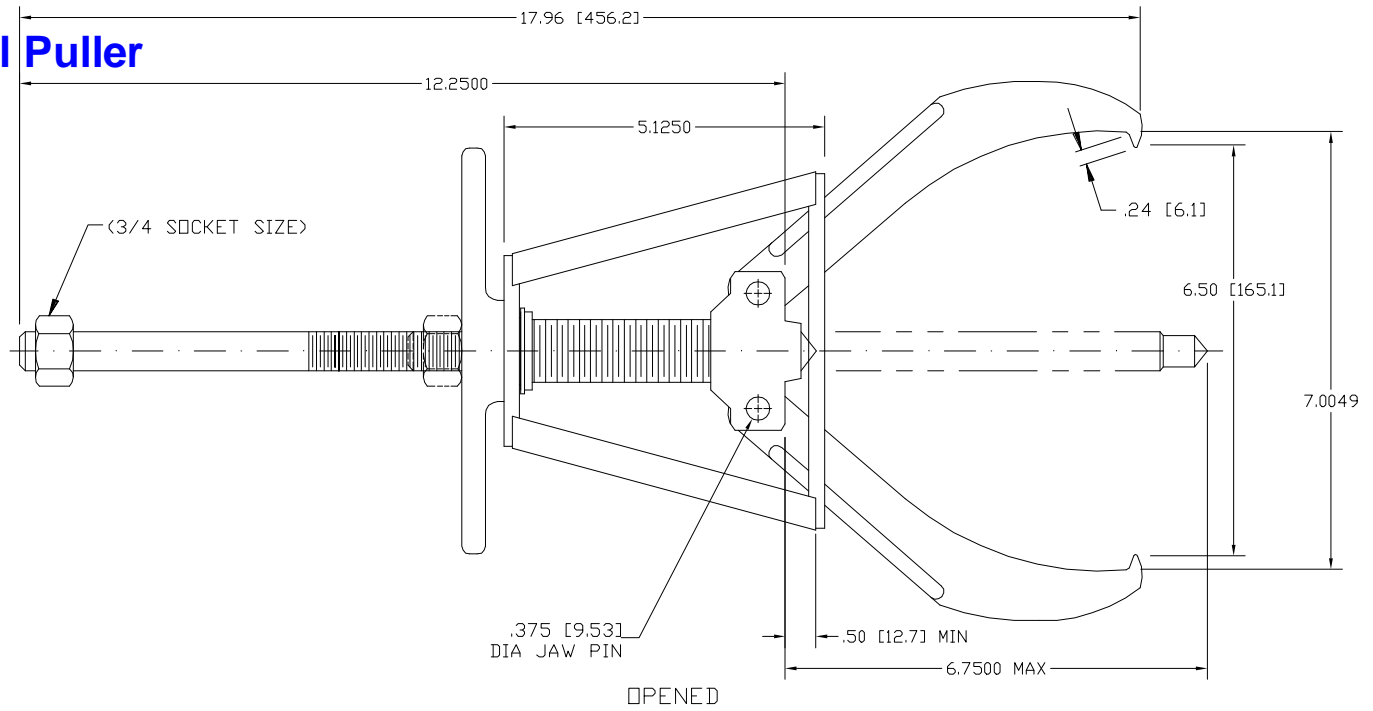


| JAWSPREAD    | DIM A           | DIM B           | DIM C                  | DIM D           | DIM E           | DIM F                  | DIM G           | DIM H           | DIM J                  | DIM K          | DIM L          | DIM M                  |
|--------------|-----------------|-----------------|------------------------|-----------------|-----------------|------------------------|-----------------|-----------------|------------------------|----------------|----------------|------------------------|
| 0.50 [12.7]  | 1.16<br>[29.5]  | 1.60<br>[40.6]  | <b>1.93</b><br>[49.0]  | 2.13<br>[54.1]  | 2.23<br>[56.6]  | <b>2.23</b><br>[56.6]  | 2.12<br>[53.8]  | 1.93<br>[49.0]  | <b>1.74</b><br>[44.2]  | 1.54<br>[39.1] | 1.34<br>[34.0] | <b>0.323</b><br>[8.20] |
| 1.00 [25.4]  | 1.57<br>[39.9]  | 1.98<br>[50.3]  | <b>2.27</b><br>[57.7]  | 2.44<br>[62.0]  | 2.51<br>[63.8]  | <b>2.47</b><br>[62.7]  | 2.33<br>[59.2]  | 2.10<br>[53.3]  | <b>1.87</b><br>[47.5]  | 1.64<br>[41.7] | 1.40<br>[35.6] | <b>0.313</b><br>[7.95] |
| 2.00 [50.8]  | 2.49<br>[63.2]  | 2.81<br>[71.4]  | <b>3.02</b><br>[76.7]  | 3.12<br>[79.2]  | 3.12<br>[79.2]  | <b>3.01</b><br>[76.5]  | 2.80<br>[71.1]  | 2.49<br>[63.2]  | <b>2.17</b><br>[55.1]  | 1.86<br>[47.2] | 1.54<br>[39.1] | <b>0.289</b><br>[7.34] |
| 3.00 [76.2]  | 3.38<br>[85.9]  | 3.63<br>[92.2]  | <b>3.77</b><br>[95.8]  | 3.80<br>[96.5]  | 3.74<br>[95.0]  | <b>3.56</b><br>[90.4]  | 3.28<br>[83.3]  | 2.89<br>[73.4]  | <b>2.49</b><br>[63.2]  | 2.08<br>[52.8] | 1.68<br>[42.7] | <b>0.263</b><br>[6.68] |
| 4.00 [101.6] | 4.26<br>[108.2] | 4.45<br>[113.0] | <b>4.53</b><br>[115.1] | 4.50<br>[114.3] | 4.38<br>[111.3] | <b>4.14</b><br>[105.2] | 3.79<br>[96.3]  | 3.31<br>[84.1]  | <b>2.82</b><br>[71.6]  | 2.32<br>[58.9] | 1.82<br>[46.2] | <b>0.235</b><br>[5.97] |
| 5.00 [127.0] | 5.15<br>[130.8] | 5.28<br>[134.1] | <b>5.31</b><br>[134.9] | 5.23<br>[132.8] | 5.05<br>[128.3] | <b>4.75</b><br>[120.7] | 4.33<br>[110.0] | 3.77<br>[95.8]  | <b>3.17</b><br>[80.5]  | 2.57<br>[65.3] | 1.97<br>[50.0] | <b>0.206</b><br>[5.23] |
| 6.00 [152.4] | 6.06<br>[153.9] | 6.14<br>[156.0] | <b>6.12</b><br>[155.4] | 5.99<br>[152.1] | 5.76<br>[146.3] | <b>5.41</b><br>[137.4] | 4.92<br>[125.0] | 4.28<br>[108.7] | <b>3.57</b><br>[90.7]  | 2.85<br>[72.4] | 2.13<br>[54.1] | <b>0.174</b><br>[4.42] |
| 7.00 [177.8] | 7.00<br>[177.8] | 7.04<br>[178.8] | <b>6.97</b><br>[177.0] | 6.81<br>[173.0] | 6.52<br>[165.6] | <b>6.12</b><br>[155.4] | 5.58<br>[141.7] | 4.86<br>[123.4] | <b>4.01</b><br>[101.9] | 3.16<br>[80.3] | 2.31<br>[58.7] | <b>0.141</b><br>[3.58] |

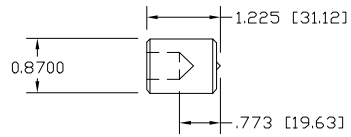
POST LOCK MODELS 106\206  
GEAR AND BEARING PULLER

|  |  |
|--|--|
| <p><b>MODEL 106</b><br/>         10 TON [9.1 METRIC TONS]<br/>         3 JAW<br/>         REACH 6.0 [152.4]<br/>         SPREAD .50 [12.7] TO 7.0 [177.8]<br/>         WT. 8 Lbs.[3.6 kg]<br/>         MAXIMUM TORQUE<br/>         130 FOOT POUNDS [176 N m]</p> | <p><b>MODEL 206</b><br/>         6 TON [5.4 METRIC TONS]<br/>         2 JAW<br/>         REACH 6.0 [152.4]<br/>         SPREAD .50 [12.7] TO 7.0 [177.8]<br/>         WT. 7 Lbs.[3.2 kg]<br/>         MAXIMUM TORQUE<br/>         75 FOOT POUNDS [102 N m]</p> |
|--|--|

# 106 / 206 Manual Puller



SHAFT PROTECTOR



OPTIONAL SHAFT EXTENSION  
INCREASES CENTER BOLT  
LENGTH BY 1.5"

