

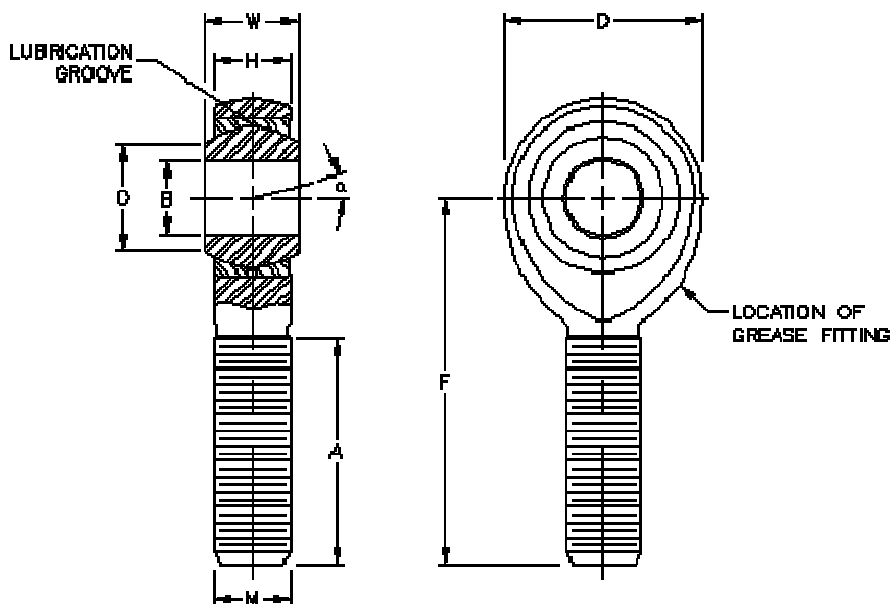
SealMaster TRE 10N

Three-Piece with Zerk Fitting, Precision, Male Rod End

Configuration:	Male
Bore:	0.6250
Series:	Precision
Construction:	Three-Piece with Zerk Fitting
Lubrication Type:	Grease
Max. Static Radial Load:	8,050
Misalignment Angle - a:	8.0



Images may not be an exact representation of the product



Part No	Description	B	W	H	D	F
1401001000	TRE 10N	0.6250	0.750	0.562	1.500	2.625
A	M	Ball Dia.	O	a		
1.594	5/8-18	1.125	0.839	8.0		