

# EPT E CATALOG - PART DETAIL

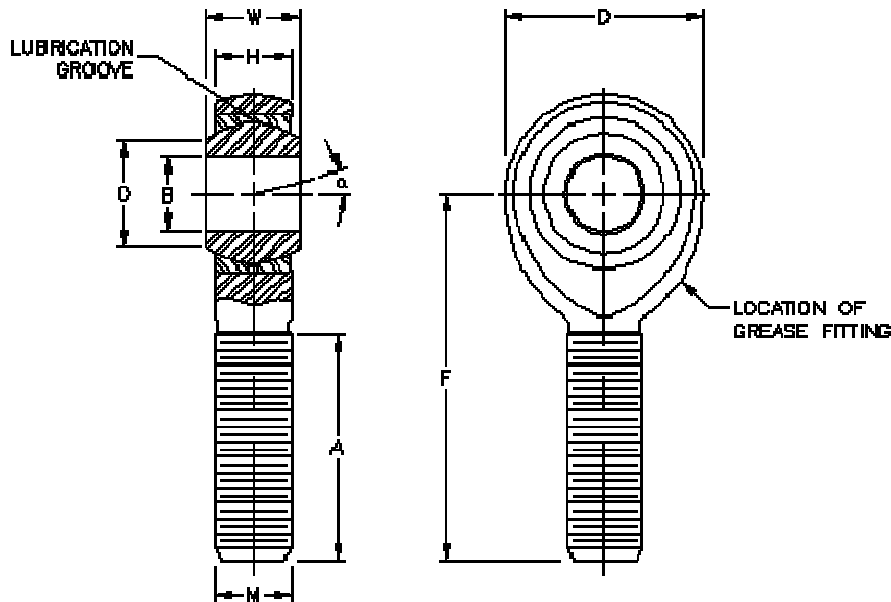
## SealMaster TREL 16N

Three-Piece with Zerk Fitting, Precision, Male Rod End

<b>Configuration:</b>	Male
<b>Bore:</b>	1.0000
<b>Series:</b>	Precision
<b>Construction:</b>	Three-Piece with Zerk Fitting
<b>Lubrication Type:</b>	Grease
<b>Max. Static Radial Load:</b>	21,000
<b>Misalignment Angle - a:</b>	8.5



*Images may not be an exact representation of the product*



Part No	Description	B	W	H	D	F
1501601000	TREL 16N	1.0000	1.375	1.000	2.750	4.125
<b>A</b>	<b>M</b>	<b>Ball Dia.</b>	<b>O</b>	<b>a</b>		
2.094	1 1/4-12LH	1.875	1.269	8.5		