

EPT E CATALOG - PART DETAIL

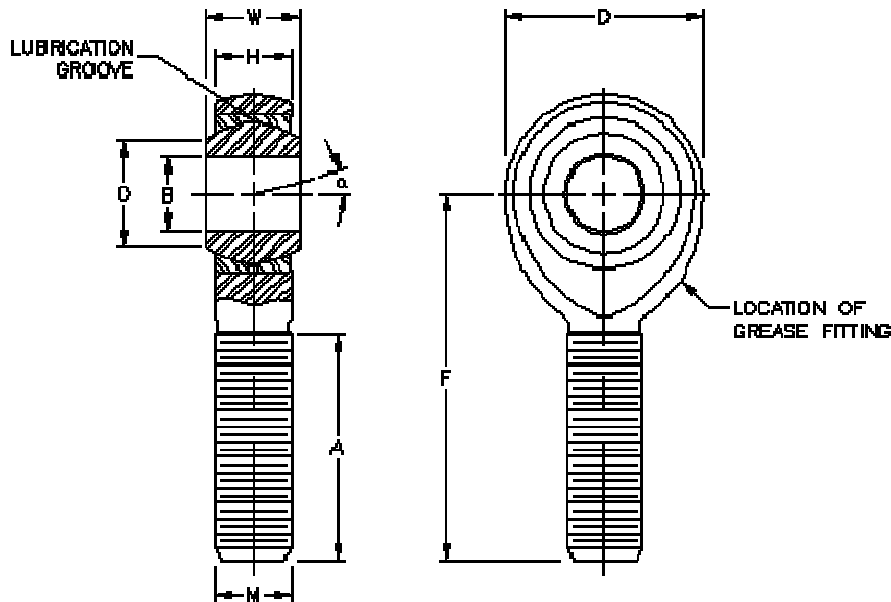
SealMaster TREL 6N

Three-Piece with Zerk Fitting, Precision, Male Rod End

Configuration:	Male
Bore:	0.3750
Series:	Precision
Construction:	Three-Piece with Zerk Fitting
Lubrication Type:	Grease
Max. Static Radial Load:	4,000
Misalignment Angle - a:	6.0



Images may not be an exact representation of the product



Part No	Description	B	W	H	D	F
1500601000	TREL 6N	0.3750	0.500	0.406	1.000	1.938
A	M	Ball Dia.	O	a		
1.219	3/8-24LH	0.718	0.517	6.0		