

# BALL BEARING HOUSED UNITS

BALL BEARING HOUSED UNITS • RUBBER CARTRIDGES • RCSM, RCR, CR

## RUBBER CARTRIDGES

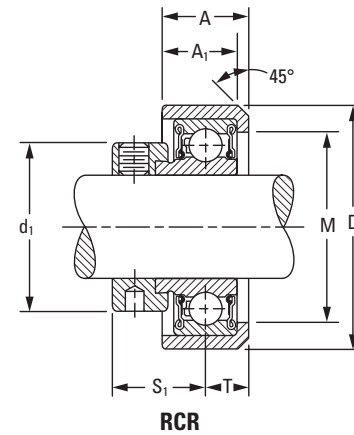
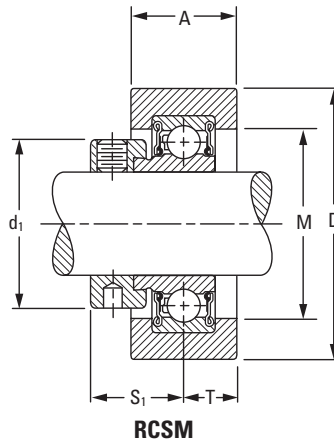
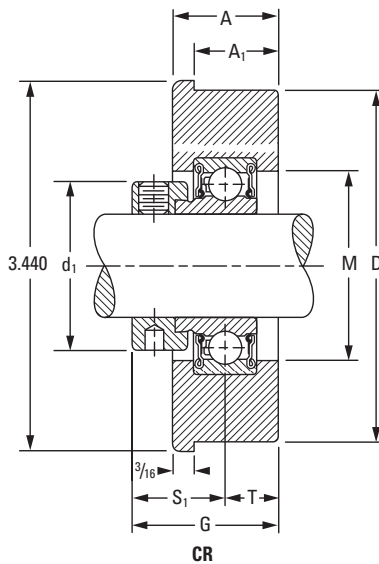
### RCSM, RCR, CR SERIES

- RCSM and RCR are quiet, synthetic, conductive-rubber cylindrical cartridges designed for domestic heating, air-conditioning, ventilating equipment and other applications that require noise-free operation.
- All units are available with the RA-RRB extended inner-ring bearings with positive-contact, land-riding seals and a self-locking collar.

- An initial supply of grease is provided in the one-piece, non-relubricatable cartridges.
- The Timken-patented CR unit was designed to accommodate the wide tolerances of hot or cold rolled #10-gage (0.134 in.), 3 1/2 in. O.D., electric-resistance welded mechanical tubing, similar to what is found in post office conveyor systems.

To order, specify UNIT and SHAFT DIAMETER.

Example: RCSM 3/4 in. or RCR 3/4 in. or CR 3/4 in.



### BEARING DATA

Unit	Bearing No.	Dimensions and Load Ratings
RCSM, RCR, CR	RA-RR	Page A-48

Unit	Shaft Dia.	D	A	A <sub>1</sub>	G	M	d <sub>1</sub>	S <sub>1</sub>	T	Bearing No. <sup>(1)</sup>	Collar No.	Housing Radial Load Rating <sup>(2)</sup>	Unit Wt.
	in. mm	mm in.	mm in.	mm in.	mm in.	mm in.	mm in.	mm in.	mm in.			N lbs.	kg lbs.
RCSM SERIES – Suggested Housing Diameter = Nominal D ± 0.013 mm ± 0.005 in.													
RCSM	1/2	64.30	25.4	–	–	34.9	28.6	22.2	12.7	RA008RR	S1008K	880	0.395
RCSM	5/8	2 17/32	1	–	–	1 3/8	1 1/8	7/8	1/2	RA010RR	S1010K	200	0.87
RCSM	17									RAE17RR	SE17K		
RCSM	3/4	64.30	25.4	–	–	39.7	33.3	23.4	12.7	RA012RR	S1012K	1120	0.472
RCSM	20	2 17/32	1	–	–	1 9/16	1 5/16	59/64	1/2	–	SE20K	250	1.04
RCSM	15/16	64.30	25.4	–	–	45.2	38.1	23.4	12.7	RA015RR	S1015K	1340	0.527
RCSM	1	2 17/32	1	–	–	1 25/32	1 1/2	59/64	1/2	RA100RR	S1100K	300	1.16
RCSM	25									RAE25RR	SE25K		
LRCSM	1 3/16	64.30	25.4	–	–	47.6	42.1	19.8	12.7	RAL103NPP	LS103K	1340	0.627
		2 17/32	1	–	–	1 7/8	1 21/32	25/32	1/2			300	1.38
RCSM SERIES – Suggested Housing Diameter = Nominal D -0.13 mm to -0.038 mm, -0.005 in. to -0.0015 in.													
LRCR	3/4	46.00	18.3	15.9	–	34.9	30.2	18.7	9.9	RAL012NPP	LS012K	880	0.272
		1 13/16	23/32	5/8	–	1 3/8	1 3/16	47/64	25/64			200	0.60
RCR	1	57.20	19.8	17.5	–	44.4	38.1	23.4	9.9	RA100RR	S1100K	1340	0.409
RCR	25	2 1/4	25/32	11/16	–	1 3/4	1 1/2	59/64	25/64	RAE25RR	SE25K	300	0.90
RCSM SERIES – Suggested Housing Diameter 82.73 mm to 81.76 mm, 3.257 in. to 3.219 in.													
CR	3/4	83.57	25.4	22.2	36.1	39.7	33.3	23.4	12.7	RA012RR	S1012K	670	0.318
CR	20	3.29	1	7/8	1 27/64	1 9/16	1 5/16	59/64	1/2	RAE20RR	SE20K	150	0.70
CR	1	83.57	25.4	22.2	36.1	45.2	38.1	23.4	12.7	RA100RR	S1100K	880	0.340
CR	25	3.29	1	7/8	1 27/64	1 25/32	1 1/2	59/64	1/2	RAE25RR	SE25K	200	0.75
LCR	1	83.57	25.4	20.6	33.3	39.7	36.1	19.8	14.3	RAL100NPP	S1100K	880	0.309
LCR	25	3.29	1	13/16	1 5/16	1 9/16	1 27/64	25/32	9/16	RALE25NPP	SE25K	200	0.68

<sup>(1)</sup>Suffix for RA bearing is FS450 (RCSM and RCR series).

<sup>(2)</sup>Steady loads only. Thrust load is 1/3 radial load rating. Maximum suggested speed is 2400 RPM.