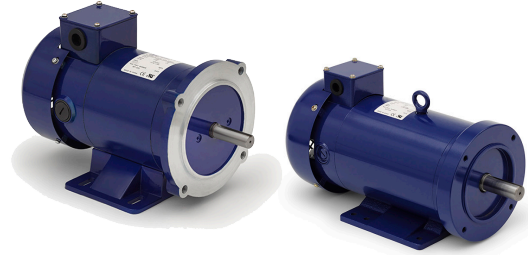


### NEMA 56 PMDC Motors

- UL recognized Also CE and RoHs listed.
- Replaceable brushes
- ¼ Hp thru ½ Hp ratings have a 4.45" frame/tube OD
- ¾ Hp and 1.0 Hp ratings have a 4.85" frame/tube OD.
- Optional Low Voltage (12v or 24V), or TENV Enclosed



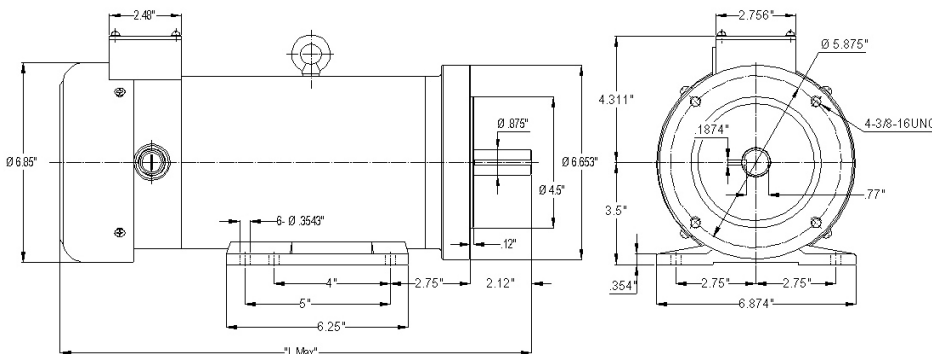
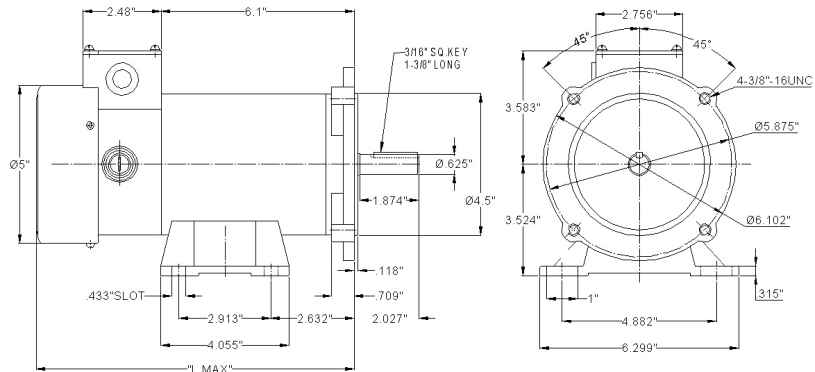
Catalog Number	HP	Voltage	Current	Speed	INSUL Class	Torque	L Max	List Price	Multiplier
			(Amp)	(RPM)		(In/lbs)	(inches)		
MT-031	0.25	90	2.9	1750	F	9	9.63	\$516	DC1
MT-041	0.25	180	1.39	1750	F	9	9.63	\$516	DC1
MT-033	0.33	90	3.7	1750	F	12	9.63	\$563	DC1
MT-042	0.33	180	1.85	1750	F	12	9.63	\$563	DC1
MT-032	0.5	90	5.3	1750	F	18	10.24	\$644	DC1
MT-043	0.5	180	2.78	1750	F	18	10.24	\$644	DC1
MT-035	0.75	90	7.8	1750	F	27	11.67	\$791	DC1
MT-044	0.75	180	3.9	1750	F	27	11.67	\$791	DC1
MT-034	1	90	10.4	1750	F	36	13.05	\$930	DC1
MT-037	1	180	5.2	1750	F	36	13.05	\$930	DC1

### NEMA 145TC PMDC Motors

- Optional 90V ratings for both 1.5 Hp and 2.0 Hp ratings

Catalog Number	HP	Voltage	Current	Speed	INSUL Class	Torque	L Max	List Price	Multiplier
			(Amp)	(RPM)		(In/lbs)	(inches)		
MT-038	1.5	180	8	1750	F	54	15.6	\$1,151	DC1
MT-039	2	180	9.5	1750	F	72	16.5	\$2,093	DC1
MT-040	3	180	14	1750	F	108	18.7	\$2,930	DC1

NEMA 56 Dimensions



NEMA 145TC Dimensions